

ADSP-2192M DUAL CORE DSP FEATURES

320 MIPS ADSP-219x DSP in a 144-Lead LQFP Package with PCI, USB, Sub-ISA, and CardBus Interfaces

3.3 V/5.0 V PCI 2.2 Compliant 33 MHz/32-bit Interface with Bus Mastering over Four DMA Channels with Scatter-Gather Support

Integrated USB 1.1 Compliant Interface

Sub-ISA Interface

AC'97 Revision 2.1 Compliant Interface for External Audio, Modem, and Handset Codecs with DMA Capability

Dual ADSP-219x Core Processors (P0 and P1) on Each ADSP-2192M DSP Chip

132K Words of Memory Includes 4K × 16-Bit Shared Data Memory

80K Words of On-Chip RAM on P0, Configured as

64K Words On-Chip 16-Bit RAM for Data Memory and 16K Words On-Chip 24-Bit RAM for Program Memory

48K Words of On-Chip RAM on P1, Configured as

32K Words On-Chip 16-Bit RAM for Data Memory and 16K Words On-Chip 24-Bit RAM for Program Memory

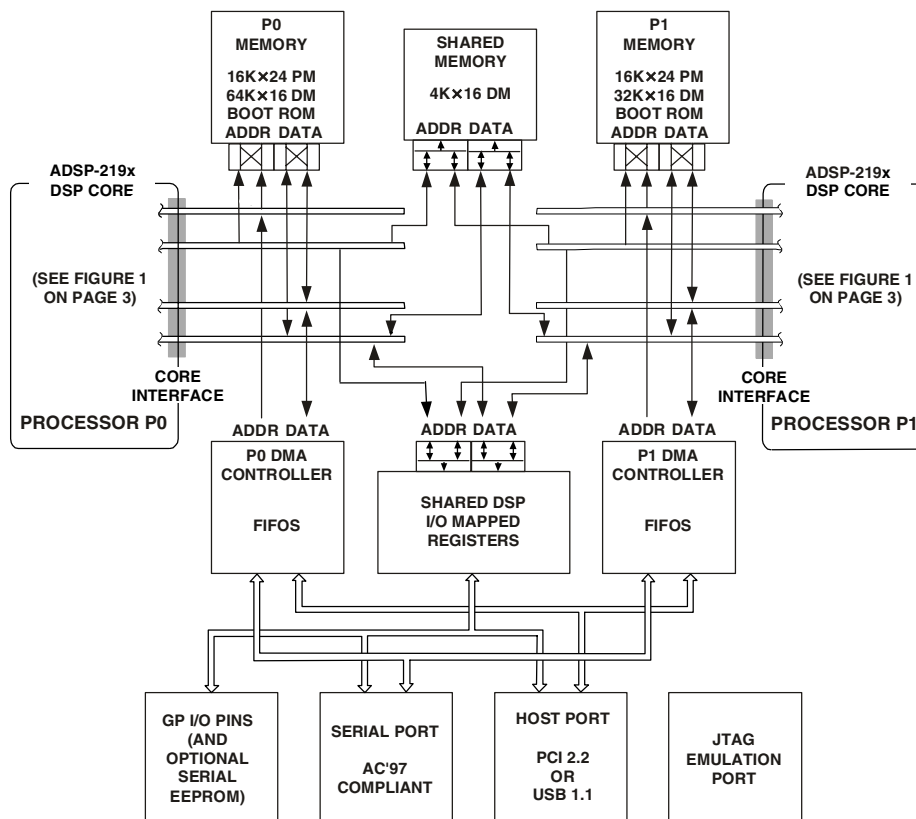
4K Words of Additional On-Chip RAM Shared by Both Cores, Configured as 4K Words On-Chip 16-Bit RAM

Flexible Power Management with Selectable Power-Down and Idle Modes

Programmable PLL Supports Frequency Multiplication, Enabling Full Speed Operation from Low Speed Input Clocks

2.5 V Internal Operation Supports 3.3 V/5.0 V Compliant I/O

FUNCTIONAL BLOCK DIAGRAM



REV. 0

Information furnished by Analog Devices is believed to be accurate and reliable. However, no responsibility is assumed by Analog Devices for its use, nor for any infringements of patents or other rights of third parties that may result from its use. No license is granted by implication or otherwise under any patent or patent rights of Analog Devices. Trademarks and registered trademarks are the property of their respective companies.

One Technology Way, P.O. Box 9106, Norwood, MA 02062-9106, U.S.A.

Tel: 781/329-4700

Fax: 781/326-8703

www.analog.com

© 2002 Analog Devices, Inc. All rights reserved.

ADSP-2192M

ADSP-2192M DUAL CORE DSP FEATURES (continued)
Eight Dedicated General-Purpose I/O Pins with Integrated Interrupt Support
Each DSP Core Has a Programmable 32-Bit Interval Timer
Five DMA Channels Available on Each Core
Boot Methods Include Booting Through PCI Port, USB Port, or Serial EEPROM
JTAG Test Access Port Supports On-Chip Emulation and System Debugging
144-Lead LQFP Package

DSP CORE FEATURES

6.25 ns Instruction Cycle Time (Internal), for up to 160 MIPS Sustained Performance
ADSP-218x Family Code Compatible with the Same Easy to Use Algebraic Syntax
Single-Cycle Instruction Execution
Dual Purpose Program Memory for Both Instruction and Data Storage
Fully Transparent Instruction Cache Allows Dual Operand Fetches in Every Instruction Cycle
Unified Memory Space Permits Flexible Address Generation, Using Two Independent DAG Units
Independent ALU, Multiplier/Accumulator, and Barrel Shifter Computational Units with Dual 40-Bit Accumulators
Single-Cycle Context Switch between Two Sets of Computational and DAG Registers
Parallel Execution of Computation and Memory Instructions
Pipelined Architecture Supports Efficient Code Execution at Speeds up to 160 MIPS
Register File Computations with All Nonconditional, Nonparallel Computational Instructions
Powerful Program Sequencer Provides Zero-Overhead Looping and Conditional Instruction Execution
Architectural Enhancements for Compiled C/C++ Code Efficiency
Architecture Enhancements beyond ADSP-218x Family are Supported with Instruction Set Extensions for Added Registers, Ports, and Peripherals

TABLE OF CONTENTS

GENERAL DESCRIPTION	3
DSP Core Architecture	3
DSP Peripherals	4
Memory Architecture	4
Interrupts	4
DMA Controller	6
External Interfaces	6
Internal Interfaces	7
Register Spaces	7
CardBus Interface	7
Using the PCI Interface	7
Using the USB Interface	13
General USB Device Definitions	17
Sub-ISA Interface	21
PCI Interface to DSP Memory	22
USB Interface to DSP Memory	22
AC'97 Codec Interface to DSP Memory	22
Data FIFO Architecture	22
System Reset Description	23
Power Management Description	24
Power Regulators	24
2.5 V Regulator Options	24
Low Power Operation	25
Clock Signals	25
Instruction Set Description	26
Development Tools	26
Additional Information	28
PIN DESCRIPTIONS	28
SPECIFICATIONS	30
ABSOLUTE MAXIMUM RATINGS	31
ESD SENSITIVITY	31
TIMING SPECIFICATIONS	31
Output Drive Currents	34
Power Dissipation	34
Test Conditions	34
Environmental Conditions	35
144-Lead LQFP Pinout	36
OUTLINE DIMENSIONS	38
ORDERING GUIDE	38

GENERAL DESCRIPTION

The ADSP-2192M is a single-chip microcomputer optimized for digital signal processing (DSP) and other high speed numeric processing applications, and is ideally suited for PC peripherals.

The ADSP-2192M combines the ADSP-219x family base architecture (three computational units, two data address generators and a program sequencer) into a chip with two core processors (see the Functional Block Diagram on Page 1 and Figure 1).

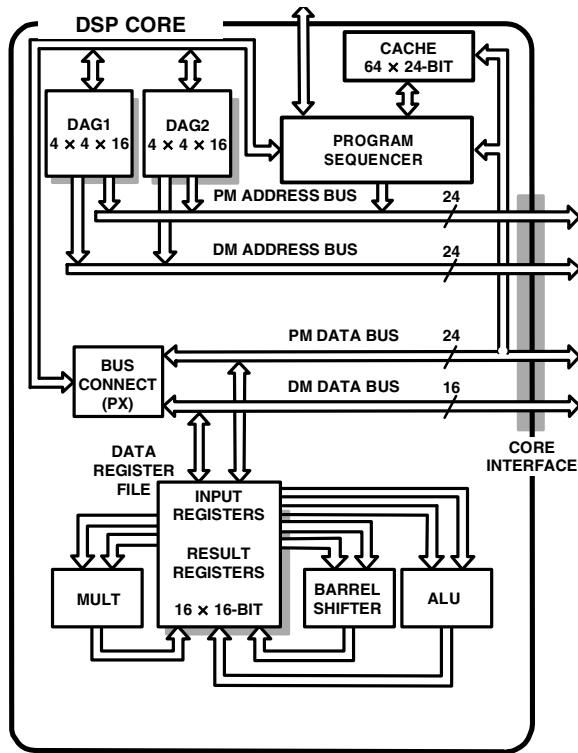


Figure 1. ADSP-219x DSP Core

The ADSP-2192M includes a PCI-compatible port, a USB-compatible port, an AC'97-compatible port, a DMA controller, a programmable timer, general-purpose Programmable Flag pins, extensive interrupt capabilities, and on-chip program and data memory spaces.

The ADSP-2192M integrates 132K words of on-chip memory configured as 32K words (24-bit) of program RAM, and 100K words (16-bit) of data RAM. power-down circuitry is also provided to reduce power consumption. The ADSP-2192M is available in a 144-lead LQFP package.

Fabricated in a high speed, low power, CMOS process, the ADSP-2192M operates with a 6.25 ns instruction cycle time (320 MIPS) using both cores. All instructions can execute in a single DSP cycle.

The ADSP-2192M's flexible architecture and comprehensive instruction set support multiple operations in parallel. For example, in one processor cycle, each DSP core within the ADSP-2192M can:

- Generate an address for the next instruction fetch
- Fetch the next instruction
- Perform one or two data moves
- Update one or two data address pointers
- Perform a computational operation

These operations take place while the processor continues to:

- Receive and/or transmit data through the Host port (PCI or USB interfaces)
- Receive or transmit data through the AC'97
- Decrement the two timers

DSP Core Architecture

The ADSP-219x architecture is code compatible with the ADSP-218x DSP family. Though the architectures are compatible, the ADSP-219x architecture has many enhancements over the ADSP-218x architecture. The enhancements to computational units, data address generators, and program sequencer make the ADSP-219x more flexible and more compiler friendly.

Indirect addressing options provide addressing flexibility: base address registers for easier implementation of circular buffering, pre-modify with no update, post-modify with update, pre- and post-modify by an immediate 8-bit, twos-complement value.

The ADSP-219x instruction set provides flexible data moves and multifunction (one or two data moves with a computation) instructions. Every single-word instruction can be executed in a single processor cycle. The ADSP-219x assembly language uses an algebraic syntax for ease of coding and readability. A comprehensive set of development tools supports program development.

The Functional Block Diagram on Page 1 shows the architecture of the ADSP-219x dual core DSP, while the block diagram of Figure 1 illustrates the ADSP-219x DSP core. Each core contains three independent computational units: the multiplier/accumulator (MAC), the ALU, and the shifter. The computational units process 16-bit data from the register file and have provisions to support multiprecision computations. The ALU performs a standard set of arithmetic and logic operations; division primitives are also supported. The MAC performs single-cycle multiply, multiply/add, and multiply/subtract operations. The MAC has two 40-bit accumulators that help with overflow. The shifter performs logical and arithmetic shifts, normalization, denormalization, and derive exponent operations. The shifter can be used to efficiently implement numeric format control, including multiword and block floating-point representations.

Register-usage rules influence placement of input and results within the computational units. For most operations, the computational units' data registers act as a data register file, permitting any input or result register to provide input to any unit for a computation. For feedback operations, the computational units let the output (result) of any unit be input to any unit on

ADSP-2192M

the next cycle. For conditional or multifunction instructions, there are restrictions on which data registers may provide inputs or receive results from each computational unit. For more information, see the ADSP-219x *DSP Instruction Set Reference*.

A powerful program sequencer controls the flow of instruction execution. The sequencer supports conditional jumps, subroutine calls, and low interrupt overhead. With internal loop counters and loop stacks, the ADSP-219x core executes looped code with zero overhead; no explicit jump instructions are required to maintain loops.

Two data address generators (DAGs) provide addresses for simultaneous dual operand fetches. Each DAG maintains and updates four 16-bit address pointers. Whenever the pointer is used to access data (indirect addressing), it is pre- or post-modified by the value of one of four possible modify registers. A length value and base address may be associated with each pointer to implement automatic modulo addressing for circular buffers. Page registers in the DAGs allow linear or circular addressing within 64K word boundaries of each of the memory pages, but these buffers may not cross page boundaries. Secondary registers duplicate all the primary registers in the DAGs; switching between primary and secondary registers provides a fast context switch.

Efficient data transfer in the core is achieved with the use of internal buses:

- Program Memory Address (PMA) Bus
- Program Memory Data (PMD) Bus
- Data Memory Address (DMA) Bus
- Data Memory Data (DMD) Bus

Program memory can store both instructions and data, permitting the ADSP-219x to fetch two operands in a single cycle, one from program memory and one from data memory. The DSP's dual memory buses also let the ADSP-219x core fetch an operand from data memory and the next instruction from program memory in a single cycle.

DSP Peripherals

The Functional Block Diagram on Page 1 shows the DSP's on-chip peripherals, which include the Host port (PCI or USB), AC'97 port, JTAG test and emulation port, flags, and interrupt controller.

The ADSP-2192M can respond to up to thirteen interrupts at any given time. A list of these interrupts appears in [Table 2](#).

The AC'97 Codec port on the ADSP-2192M provides a complete synchronous, full-duplex serial interface. This interface supports the AC'97 standard.

The ADSP-2192M provides up to eight general-purpose I/O pins that are programmable as either inputs or outputs. These pins are dedicated general-purpose Programmable Flag pins.

The programmable interval timer generates periodic interrupts. A 16-bit count register (TCOUNT) is decremented every n cycles where $n-1$ is a scaling value stored in a 16-bit register (TSCALE). When the value of the count register reaches zero, an interrupt is generated and the count register is reloaded from a 16-bit period register (TPERIOD).

Memory Architecture

The ADSP-2192M provides 132K words of on-chip SRAM memory. This memory is divided into Program and Data Memory blocks in each DSP's memory map. In addition to the internal memory space, the two cores can address two additional and separate off-core memory spaces: I/O space and shared memory space, as shown in [Figure 2](#).

The ADSP-2192M's two cores can access 80K and 48K locations that are accessible through two 24-bit address buses, the PMA and DMA buses. The DSP has three functions that support access to the full memory map.

- The DAGs generate 24-bit addresses for data fetches from the entire DSP memory address range. Because DAG index (address) registers are 16 bits wide and hold the lower 16 bits of the address, each of the DAGs has its own 8-bit page register (DMPGx) to hold the most significant eight address bits. Before a DAG generates an address, the program must set the DAG's DMPGx register to the appropriate memory page.
- The Program Sequencer generates the addresses for instruction fetches. For relative addressing instructions, the program sequencer bases addresses for relative jumps, calls, and loops on the 24-bit Program Counter (PC). In direct addressing instructions (two-word instructions), the instruction provides an immediate 24-bit address value. The PC allows linear addressing of the full 24-bit address range.
- For indirect jumps and calls that use a 16-bit DAG address register for part of the branch address, the Program Sequencer relies on an 8-bit Indirect Jump page (IJPg) register to supply the most significant eight address bits. Before a cross page jump or call, the program must set the program sequencer's IJPg register to the appropriate memory page.

Each ADSP-219x DSP core has an on-chip ROM that holds boot routines ([See Booting Modes on Page 23](#)).

Interrupts

The interrupt controller lets the DSP respond to 13 interrupts with minimum overhead. The controller implements an interrupt priority scheme as shown in [Table 2](#). Applications can use the unassigned slots for software and peripheral interrupts. The DSP's Interrupt Control (ICNTL) register (shown in [Table 3](#)) provides controls for global interrupt enable, stack interrupt configuration, and interrupt nesting.

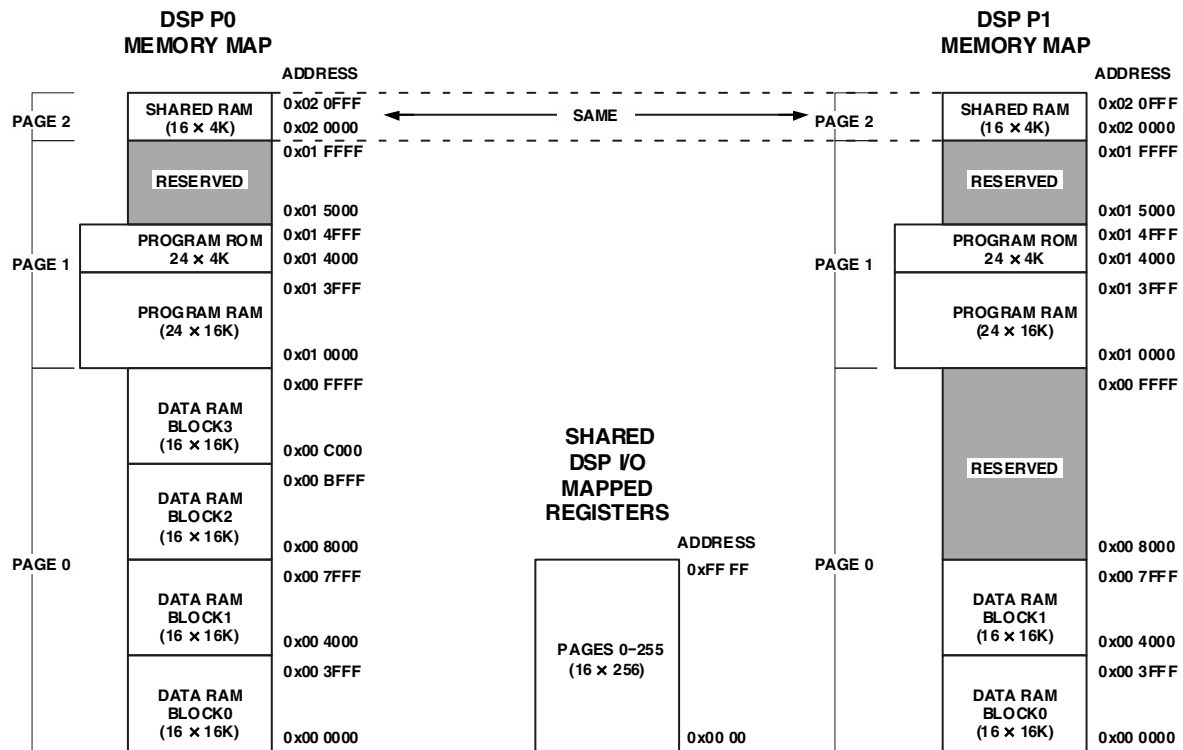


Figure 2. ADSP-2192M Internal/External Memory, Boot Memory, and I/O Memory Maps

Table 2 shows the interrupt vector and DSP-to-DSP semaphores at reset of each of the peripheral interrupts. The peripheral interrupt’s position in the IMASK and IRPTL register and its vector address depend on its priority level, as shown in Table 2.

Table 1. DSP-to-DSP Semaphores Register Table

Flag Bit	Direction	Function
0	Output	DSP–DSP Semaphore 0
1	Output	DSP–DSP Semaphore 1
2	Output	DSP–DSP Interrupt
3		Reserved
4		Reserved
5		Reserved
6		Reserved
7	Output	Register Bus Lock
8	Input	DSP–DSP Semaphore 0
9	Input	DSP–DSP Semaphore 1
10	Input	DSP–DSP Interrupt
11	Input	Reserved
12	Input	AC’97 Register–PDC Bus Access Status
13	Input	PDC Interface Busy Status (write from DSP pending)
14	Input	Reserved
15	Input	Register Bus Lock Status

Table 2. Vector Table

Bit	Priority	Interrupt	Vector Address Offset ¹
0	1	Reset (non-maskable)	0x00
1	2	Power-Down (non-maskable)	0x04
2	3	Kernel interrupt (single step)	0x08
3	4	Stack Status	0x0C
4	5	Mailbox	0x10
5	6	Timer	0x14
6	7	GPIO	0x18
7	8	PCI Bus Master	0x1C
8	9	DSP–DSP	0x20
9	10	FIFO0 Transmit	0x24
10	11	FIFO0 Receive	0x28
11	12	FIFO1 Transmit	0x2C
12	13	FIFO1 Receive	0x30
13	14	Reserved	0x34
14	15	Reserved	0x38
15	16	AC’97 Frame	0x3C

¹The interrupt vector address values are represented as offsets from address 0x01 0000. This address corresponds to the start of Program Memory in DSP P0 and P1.

ADSP-2192M

Interrupt routines can either be nested with higher priority interrupts taking precedence or processed sequentially. Interrupts can be masked or unmasked with the IMASK register. Individual interrupt requests are logically ANDed with the bits in IMASK; the highest priority unmasked interrupt is then selected. The emulation, power-down, and reset interrupts are nonmaskable with the IMASK register, but software can use the DIS INT instruction to mask the power-down interrupt.

Table 3. Interrupt Control (ICNTL) Register Bits

Bit	Description
0–3	Reserved
4	Interrupt nesting enable
5	Global interrupt enable
6	Reserved
7	MAC biased rounding enable
8–9	Reserved
10	PC stack interrupt enable
11	Loop stack interrupt enable
12	Low power idle enable
13–15	Reserved

The IRPTL register is used to force and clear interrupts. On-chip stacks preserve the processor status and are automatically maintained during interrupt handling. To support interrupt, loop, and subroutine nesting, the PC stack is 33 levels deep, the loop stack is eight levels deep, and the status stack is 16 levels deep. To prevent stack overflow, the PC stack can generate a stack level interrupt if the PC stack falls below three locations full or rises above 28 locations full.

The following instructions globally enable or disable interrupt servicing, regardless of the state of IMASK.

```
ENA INT;
DIS INT;
```

At reset, interrupt servicing is disabled.

For quick servicing of interrupts, a secondary set of DAG and computational registers exist. Switching between the primary and secondary registers lets programs quickly service interrupts, while preserving the DSP's state.

DMA Controller

The ADSP-2192M has a DMA controller that supports automated data transfers with minimal overhead for the DSP core. Cycle stealing DMA transfers can occur between the ADSP-2192M's internal memory and any of its DMA-capable peripherals. DMA transfers can also be accomplished between any of the DMA-capable peripherals. DMA-capable peripherals include the PCI and AC'97 ports. Each individual DMA-capable peripheral has a dedicated DMA channel. DMA sequences do not contend for bus access with the DSP core; instead, DMAs "steal" cycles to access memory. All DMA transfers use the Program Memory (PMA/PMD) buses shown in the Functional Block Diagram on Page 1.

External Interfaces

Several different interfaces are supported on the ADSP-2192M. These include both internal and external interfaces. The three separate PCI configuration spaces are programmable to set up the device in various Plug-and-Play configurations.

The ADSP-2192M provides the following types of external interfaces: PCI, USB, Sub-ISA, CardBus, AC'97, and serial EEPROM. The following sections discuss those interfaces.

PCI 2.2 Host Interface

The ADSP-2192M includes a 33 MHz, 32-bit bus master PCI interface that is compliant with revision 2.2 of the PCI specification. This interface supports the high data rates.

USB 1.1 Host Interface

The ADSP-2192M USB interface enables the host system to configure and attach a single device with multiple interfaces and various endpoint configurations. The advantages of this design include:

- Programmable descriptors and class-specific command interpreter.
- An on-chip 8052-compatible MCU allows the user to soft download different configurations and support standard or class-specific commands.
- Total of eight user-defined endpoints provided. Endpoints can be configured as either BULK, ISO, or INT, and the endpoints can be grouped and assigned to any interface.

Sub-ISA Interface

In systems that combine the ADSP-2192M chip with other devices on a single PCI interface, the ADSP-2192M Sub-ISA mode is used to provide a simpler interface that bypasses the ADSP-2192M's PCI interface. In this mode the Combo Master assumes all responsibility for interfacing the function to the PCI bus, including provision of Configuration Space registers for the ADSP-2192M system as a separate PnP function. In Sub-ISA Mode the PCI Pins are reconfigured for ISA operation.

CardBus Interface

The CardBus standard provides higher levels of performance than the 16-bit PC Card standard. For example, 32-bit CardBus cards are able to take advantage of internal bus speeds that can be as much as four to six times faster than 16-bit PC Cards. This design provides for a compact, rugged card that can be completely inserted within its host computer without any external cabling.

Because CardBus performance attains the same high level as the host platform's internal (PCI) system bus, it is an excellent way to add high speed communications to the notebook form factor. In addition, CardBus PC Cards operate at a power-saving 3.3 volts, extending battery life in most configurations.

This new 32-bit CardBus technology provides up to 132M bytes per second of bandwidth. This performance makes CardBus an ideal vehicle to meet the demands of high throughput communications such as ADSL.

CardBus PC Cards generate less heat and consume less power. This is attained by:

- Low voltage operation at 3.3 V
- Software control of clock speed
- Advanced power management mechanism

AC'97 2.1 External Codec Interface

The industry standard AC'97 serial interface (AC-Link) incorporates a 7-pin digital serial interface that links compliant codecs to the ADSP-2192M. The ACLink implements a bidirectional, fixed rate, serial PCM digital stream. It handles multiple input and output audio streams as well as control and status register accesses using a time division multiplex scheme.

Serial EEPROM Interface

The Serial EEPROM for the ADSP-2192M can overwrite the following information which is returned during the USB GET DEVICE DESCRIPTOR command. During the Serial EEPROM initialization procedure, the DSP is responsible for writing the USB Descriptor Vendor ID, USB Descriptor Product ID, USB Descriptor Release Number, and USB Descriptor Device Attributes registers to change the default settings.

All descriptors can be changed when downloading the RAM-based MCU reenumeration code, except for the Manufacturer and Product, which are supported in the CONFIG DEVICE and cannot be overwritten or changed by the Serial EEPROM.

- Vendor ID (0x0456)
- Product ID (0x2192)
- Device Release Number (0x0100)
- Device Attributes (0x80FA): SP (1 = self-powered, 0 = bus-powered, default = 0); RW (1 = have remote wake-up capability, 0 = no remote wake-up capability, default = 0); C[7:0] (power consumption from bus expressed in 2 mA units; default = 0xFA 500 mA)
- Manufacturer (ADI)
- Product (ADI Device)

Internal Interfaces

The ADSP-2192M provides three types of internal interfaces: registers, codec, and DSP memory buses. The following sections discuss those interfaces.

Register Interface

The register interface allows the PCI interface, USB interface, and both DSPs to communicate with the I/O Registers. These registers map into DSP, PCI, and USB I/O spaces.

Register Spaces

Several different register spaces are defined on the ADSP-2192M, as described in the following sections.

PCI Configuration Space

These registers control the configuration of the PCI Interface. Most of these registers are only accessible via the PCI Bus although a subset is accessible to the DSP for configuration during the boot.

DSP Core Register Space

Each DSP has an internal register that is accessible with no latency. These registers are accessible only from within the DSP, using the REG() instruction.

Peripheral Device Control Register Space

This Register Space is accessible by both DSPs, the PCI, Sub-ISA, and USB Buses. Note that certain sections of this space are exclusive to either the PCI, USB, or Sub-ISA Buses. These registers control the operation of the peripherals of the ADSP-2192M. The DSP accesses these registers using the I/O space instruction.

USB Register Space

These registers control the operation and configuration of the USB Interface. Most of these registers are only accessible via the USB Bus, although a subset is accessible to the DSP.

CardBus Interface

The ADSP-2192M's PC CardBus interface meets the state and timing specifications defined for PCMCIA's PC CardBus Standard April 1998 Release 6.1. It supports up to three card functions. Multiple function PC cards require a separate set of Configuration registers per function. A primary Card Information Structure common to all functions is required. Separate secondary Card Information Structures, one per function, are also required. Data for each CIS is loaded by the DSP during bootstrap loading.

The host PC can read the CIS data at any time. If needed, the WAIT control can be activated to extend the read operation to meet bus write access to the CIS data.

Using the PCI Interface

The ADSP-2192M includes a 33 MHz, 32-bit PCI interface to provide control and data paths between the part and the host CPU. The PCI interface is compliant with the PCI Local Bus Specification Revision 2.2. The interface supports bus mastering as well as bus target interfaces. The PCI Bus Power Management Interface Specification Revision 1.1 is supported and additional features as needed by PCI designs are included.

Target/Slave Interface

The ADSP-2192M PCI interface contains three separate functions, each with its own configuration space. Each function contains four base address registers used to access ADSP-2192M control registers and DSP memory. Base Address Register (BAR) 1 is used to point to the control registers. The addresses specified in these tables are offsets from BAR1 in each of the functions. PCI memory-type accesses are used to read and write the registers.

DSP memory accesses use BAR2 or BAR3 of each function. BAR2 is used to access 24-bit DSP memory; BAR3 accesses 16-bit DSP memory. Maps of the BAR2 and BAR3 registers appear in [Table 8 on Page 11](#) and [Table 9 on Page 12](#).

The lower half of the allocated space pointed to by each DSP memory BAR is the DSP memory for DSP core P0. The upper half is the memory space associated with DSP core P1. PCI transactions to and from DSP memory use the DMA function within the DSP core. Thus each word transferred to or from PCI

ADSP-2192M

space uses a single DSP clock cycle to perform the internal DSP data transfer. Byte-wide accesses to DSP memory are not supported.

I/O type accesses are supported via BAR4. Both the control registers accessible via BAR1 and the DSP memory accessible via BAR2 and BAR3 can be accessed with I/O accesses. Indirect access is used to read and write both the control registers and the DSP memory. For the control register accesses, an address register points to the word to be accessed while a separate register is used to transfer the data. Read/write control is part of the address register. Only 16-bit accesses are possible via the I/O space.

A separate set of registers is used to perform the same function for DSP memory access. Control for these accesses includes a 24-bit/16-bit select as well as direction control. The data register for DSP memory accesses is a full 24 bits wide. 16-bit accesses will be loaded into the lower 16 bits of the register. [Table 10 on Page 14](#) lists the registers directly accessible from BAR4.

Bus Master Interface

As a bus master, the PCI interface can transfer DMA data between system memory and the DSP. The control registers for these transfers are available both to the host and to the DSPs. Four channels of bus mastering DMA are supported on the ADSP-2192M.

Two channels are associated with the receive data and two are associated with the transmit data. The internal DSPs will typically control initiation of bus master transactions. DMA host bus master transfers can specify either standard circular buffers in system memory or perform scatter-gather DMA to host memory.

Each bus master DMA channel includes four registers to specify a standard circular buffer in system memory. The Base Address points to the start of the circular buffer. The Current Address is a pointer to the current position within that buffer. The Base Count specifies the size of the buffer in bytes, while the Current Count keeps track of how many bytes need to be transferred before the end of the buffer is reached. When the end of the buffer is reached, the channel can be programmed to loop back to the beginning and continue the transfers. When this looping occurs, a Status bit will be set in the DMA Control Register.

The PCI DMA controller can be programmed to perform scatter-gather DMA, when transferring samples to and from DSP memory. This mode allows the data to be split up in memory, and yet be transferable to and from the ADSP-2192M without processor intervention. In scatter-gather mode, the DMA controller can read the memory address and word count from an array of buffer descriptors called the Scatter-Gather Descriptor (SGD) table. This allows the DMA engine to sustain DMA transfers until all buffers in the SGD table are transferred.

To initiate a scatter-gather transfer between memory and the ADSP-2192M, the following steps are involved:

1. Software driver prepares a SGD table in system memory. Each descriptor is eight bytes long and consists of an address pointer to the starting address and the transfer count of the memory buffer to be transferred. In any given SGD table, two consecutive SGDs are offset by eight bytes and are aligned on a 4-byte boundary. Each SGD contains:
 - a. Memory Address (Buffer Start) – 4 bytes
 - b. Byte Count (Buffer Size) – 3 bytes
 - c. End of Linked List (EOL) – 1 bit (MSBit)
 - d. Flag – 1 bit (MSBit – 1)
2. Initialize DMA control registers with transfer-specific information such as number of total bytes to transfer, direction of transfer, etc.
3. Software driver initializes the hardware pointer to the SGD table.
4. Engage scatter-gather DMA by writing the start value to the PCI channel Control/Status register.
5. The ADSP-2192M will then pull in samples as pointed to by the descriptors as needed by the DMA engine. When the EOL is reached, a status bit will be set and the DMA will end if the data buffer is not to be looped. If looping is to occur, DMA transfers will continue from the beginning of the table until the channel is turned off.
6. Bits in the PCI Control/Status register control whether an interrupt occurs when the EOL is reached or when the FLAG bit is set.

Scatter-gather DMA uses four registers. In scatter-gather mode the functions of the registers are mapped as shown in [Table 4](#).

Table 4. Register Mapping in Scatter-Gather Mode

Standard Circular Buffer Mode	Scatter-Gather Mode Function
Base Address	SGD Table Pointer
Current Address	SGD Current Pointer Address
Base Count	SGD Pointer
Current Count	Current SGD Count

In either mode of operation, interrupts can be generated based upon the total number of bytes transferred. Each channel has two 24-bit registers to count the bytes transferred and generate interrupts as appropriate. The Interrupt Base Count register specifies the number of bytes to transfer prior to generating an interrupt. The Interrupt Count register specifies the current number left prior to generating the interrupt. When the Interrupt Count

register reaches zero, a PCI interrupt can be generated. Also, the Interrupt Count register will be reloaded from the Interrupt Base Count and continue counting down for the next interrupt.

Table 5. PCI Interrupt Register

Bit	Name	Comments
0	Reserved	Reserve
1	Rx0 DMA Channel Interrupt	Receive Channel 0 Bus Master Transactions
2	Rx1 DMA Channel Interrupt	Receive Channel 1 Bus Master Transactions
3	Tx0 DMA Channel Interrupt	Transmit Channel 0 Bus Master Transactions
4	Tx1 DMA Channel Interrupt	Transmit Channel 1 Bus Master Transactions
5	Incoming Mailbox 0 PCI Interrupt	PCI to DSP Mailbox 0 Transfer
6	Incoming Mailbox 1 PCI Interrupt	PCI to DSP Mailbox 1 Transfer
7	Outgoing Mailbox 0 PCI Interrupt	DSP to PCI Mailbox 0 Transfer
8	Outgoing Mailbox 1 PCI Interrupt	DSP to PCI Mailbox 1 Transfer
9	Reserved	
10	Reserved	
11	I/O Wake-up	I/O Pin Initiated
12	AC'97 Wake-up	AC'97 Interface Initiated
13	PCI Master Abort Interrupt	PCI Interface Master Abort Detected
14	PCI Target Abort Interrupt	PCI Interface Target Abort Detected
15	Reserved	

PCI Interrupts

There are a variety of potential sources of interrupts to the PCI host besides the bus master DMA interrupts. A single interrupt pin, \overline{INTA} is used to signal these interrupts back to the host. The PCI Interrupt Register consolidates all of the possible interrupt sources; the bits of this register are shown in [Table 5](#). The register bits are set by the various sources, and can be cleared by writing a 1 to the bit(s) to be cleared.

PCI Control Register.

This register must be initialized by the DSP ROM code prior to PCI enumeration. (It has no effect in ISA or USB mode.) Once the Configuration Ready bit has been set to 1, the PCI Control Register becomes read-only, and further access by the DSP to configuration space is disallowed. The bits of this register are shown in [Table 6](#).

PCI Configuration Space

The ADSP-2192M PCI Interface provides three separate configuration spaces, one for each possible function. This document describes the registers in each function, their reset condition, and how the three functions interact to access and control the ADSP-2192M hardware.

Table 6. PCI Control Register

Bit	Name	Comments
1–0	PCI Functions Configured	00 = One PCI function enabled, 01 = Two functions, 10 = Three functions
2	Configuration Ready	When 0, disables PCI accesses to the ADSP-2192M (terminated with Retry). Must be set to 1 by DSP ROM code after initializing configuration space. Once 1, cannot be written to 0.
15–3	Reserved	

Similarities Between the Three PCI Functions

Each function contains a complete set of registers in the pre-defined header region as defined in the PCI Local Bus Specification Revision 2.2. In addition, each function contains the optional registers to support PCI Bus Power Management. Generally, registers that are unimplemented or read-only in one function are similarly defined in the other functions. Each function contains four base address registers that are used to access ADSP-2192M control registers and DSP memory.

Base address register (BAR) 1 is used to access the ADSP-2192M control registers. Accesses to the control registers via BAR1 uses PCI memory accesses. BAR1 requests a memory allocation of 1024 bytes. Access to DSP memory occurs via BAR2 and BAR3. BAR2 is used to access 24-bit DSP memory (for DSP program downloading) while BAR3 is used to access 16-bit DSP memory. BAR4 provides I/O space access to both the control registers and the DSP memory.

[Table 7](#) shows the configuration space headers for the three spaces. While these are the default uses for each of the configurations, they can be redefined to support any possible function by writing to the class code register of that function during boot. Additionally, during boot time, the DSP can disable one or more of the functions. If only two functions are enabled, they will be functions 0 and 1. If only one function is enabled, it will be function 0.

Interactions Between the Three PCI Configurations

Because the configurations must access and control a single set of resources, potential conflicts can occur between the control specified by the configuration.

Target accesses to registers and DSP memory can go through any function. As long as the Memory Space access enable bit is set in that function, then PCI memory accesses whose addresses match the locations programmed into a function, BARs 1–3 will be able to read or write any visible register or memory location within the ADSP-2192M. Similarly, if I/O space access enable is set, then PCI I/O accesses can be performed via BAR4.

Within the Power Management section of the configuration blocks, there are a few interactions. The part will stay in the highest power state between the three configurations.

ADSP-2192M

Table 7. PCI Configuration Space 0, 1, and 2

Address	Name	Reset	Comments
0x01–0x00	Vendor ID	0x11D4	Writable from the DSP during initialization
0x03–0x02	Config 0 Device ID	0x2192	Writable from the DSP during initialization
	Config 1 Device ID	0x219A	Writable from the DSP during initialization
	Config 2 Device ID	0x219E	Writable from the DSP during initialization
0x05–0x04	Command Register	0x0	Bus Master, Memory Space Capable, I/O Space Capable
0x07–0x06	Status Register	0x0	Bits enabled: Capabilities List, Fast B2B, Medium Decode
0x08	Revision ID	0x0	Writable from the DSP during initialization
0x0B–0x09	Class Code	0x48000	Writable from the DSP during initialization
0x0C	Cache Line Size	0x0	Read Only
0x0D	Latency Timer	0x0	
0x0E	Header Type	0x80	Multifunction bit set
0x0F	BIST	0x0	Unimplemented
0x13–0x10	Base Address 1	0x08	Register Access for all ADSP-2192M Registers, Prefetchable Memory
0x17–0x14	Base Address2	0x08	24-bit DSP Memory Access
0x1B–0x18	Base Address3	0x08	16-bit DSP Memory Access
0x1F–0x1C	Base Address4	0x01	I/O access for control registers and DSP memory
0x23–0x20	Base Address5	0x0	Unimplemented
0x27–0x24	Base Address6	0x0	Unimplemented
0x2B–0x28	Config 0 CardBus CIS Pointer	0x1FF03	CIS RAM Pointer - Function 0 (Read Only)
	Config 1 CardBus CIS Pointer	0x1FE03	CIS RAM Pointer - Function 1 (Read Only)
	Config 2 CardBus CIS Pointer	0x1FD03	CIS RAM Pointer - Function 2 (Read Only)
0x2D–0x2C	Subsystem Vendor ID	0x11D4	Writable from the DSP during initialization
0x2F–0x2E	Config 0 Subsystem Device ID	0x2192	Writable from the DSP during initialization
	Config 1 Subsystem Device ID	0x219A	Writable from the DSP during initialization
	Config 2 Subsystem Device ID	0x219E	Writable from the DSP during initialization
0x33–0x30	Expansion ROM Base Address	0x0	Unimplemented
0x34	Capabilities Pointer	0x40	Read Only
0x3C	Interrupt Line	0x0	
0x3D	Interrupt Pin	0x1	Uses $\overline{\text{INTA}}$ Pin
0x3E	Min_Gnt	0x1	Read Only
0x3F	Max_Lat	0x4	Read Only
0x40	Capability ID	0x1	Power Management Capability Identifier
0x41	Next_Cap_Ptr	0x0	Read Only
0x43–0x42	Power Management Capabilities	0x6C22	Writable from the DSP during initialization
0x45–0x44	Power Management Control/Status	0x0	Bits 15 and 8 initialized only on Power-up
0x46	Power Management Bridge	0x0	Unimplemented
0x47	Power Management Data	0x0	Unimplemented

PCI Memory Map

The ADSP-2192M On-Chip Memory is mapped to the PCI Address Space. Because some ADSP-2192M Memory Blocks are 24 bits wide (Program Memory) while others are 16 bits (Data Memory), two different footprints are available in PCI Address Space. These footprints are available to each PCI function by accessing different PCI Base Address Registers (BAR). BAR2 supports 24-bit “Unpacked” Memory Access. BAR3 supports 16-bit “Packed” Memory Access.

In 24-bit (BAR2) Mode, each 32 bits (four Consecutive PCI Byte Address Locations, which make up one PCI Data word) correspond to a single ADSP-2192M Memory Location. BAR2

Mode is typically used for Program Memory Access. Byte3 is always unused. Bytes[2:0] are used for 24-bit Memory Locations. As shown in Figure 3, Bytes[2:1] are used for 16-bit Memory Locations.

In 16-bit (BAR3) Mode (Figure 4), each 32-bit (four Consecutive PCI Byte Address Locations) PCI Data Word corresponds to two ADSP-2192M Memory Locations. Bytes[3:2] contain one 16-bit Data Word, Bytes[1:0] contain a second 16-bit Data Word. BAR3 Mode is typically used for Data Memory Access. Only the 16 MSBs of a Data Word are accessed in 24-bit Blocks; the 8 LSBs are ignored.

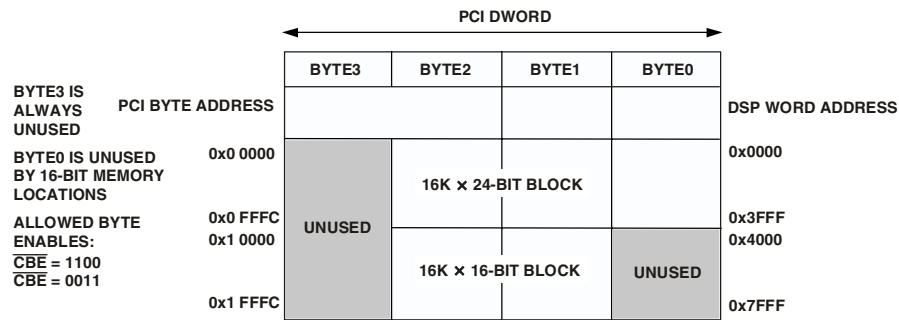


Figure 3. PCI Addressing for 24-Bit and 16-Bit Memory Blocks in 24-Bit Access (BAR2) Mode

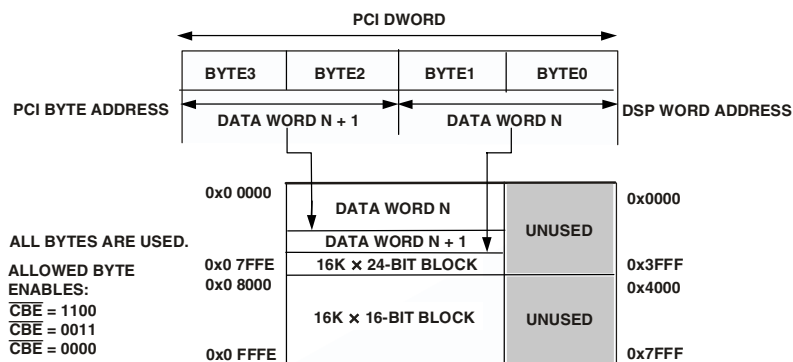


Figure 4. PCI Addressing for 24-Bit and 16-Bit Memory Blocks in 16-Bit Access (BAR3) Mode

24-Bit PCI DSP Memory Map (BAR2)

The complete PCI address footprint for the ADSP-2192M DSP Memory Spaces in 24-bit (BAR2) Mode is shown in [Table 8](#).

Table 8. 24-Bit PCI DSP Memory Map (BAR2 Mode)¹

Block	Byte3	Byte2	Byte1	Byte0	Offset
DSP P0 Data RAM Block 0	UNUSED	D[15:8]	D[7:0]	UNUSED	0x0000 0000
	UNUSED	D[15:8]	D[7:0]	UNUSED	0x0000 0004

	UNUSED	D[15:8]	D[7:0]	UNUSED	0x0000 FFFC
DSP P0 Data RAM Block 1	UNUSED	D[15:8]	D[7:0]	UNUSED	0x0001 0000
	UNUSED	D[15:8]	D[7:0]	UNUSED	0x0001 0004

	UNUSED	D[15:8]	D[7:0]	UNUSED	0x0001 FFFC
DSP P0 Data RAM Block 2	UNUSED	D[15:8]	D[7:0]	UNUSED	0x0002 0000
	UNUSED	D[15:8]	D[7:0]	UNUSED	0x0002 0004

	UNUSED	D[15:8]	D[7:0]	UNUSED	0x0002 FFFC
DSP P0 Data RAM Block 3	UNUSED	D[15:8]	D[7:0]	UNUSED	0x0003 0000
	UNUSED	D[15:8]	D[7:0]	UNUSED	0x0003 0004

	UNUSED	D[15:8]	D[7:0]	UNUSED	0x0003 FFFC
DSP P0 Program RAM Block	UNUSED	D[23:16]	D[15:8]	D[7:0]	0x0004 0000
	UNUSED	D[23:16]	D[15:8]	D[7:0]	0x0004 0004

	UNUSED	D[23:16]	D[15:8]	D[7:0]	0x0004 FFFC

ADSP-2192M

Table 8. 24-Bit PCI DSP Memory Map (BAR2 Mode)¹ (continued)

Block	Byte3	Byte2	Byte1	Byte0	Offset
DSP P0 Program ROM Block	UNUSED	D[23:16]	D[15:8]	D[7:0]	0x0005 0000
	UNUSED	D[23:16]	D[15:8]	D[7:0]	0x0005 0004

	UNUSED	D[23:16]	D[15:8]	D[7:0]	0x0005 3FFC
Reserved Space	RESERVED	RESERVED	RESERVED	RESERVED	0x0005 4000

	RESERVED	RESERVED	RESERVED	RESERVED	0x0007 FFFC
DSP P1 Data RAM Block 0	UNUSED	D[15:8]	D[7:0]	UNUSED	0x0008 0000
	UNUSED	D[15:8]	D[7:0]	UNUSED	0x0008 0004

	UNUSED	D[15:8]	D[7:0]	UNUSED	0x0008 FFFC
DSP P1 Data RAM Block 1	UNUSED	D[15:8]	D[7:0]	UNUSED	0x0009 0000
	UNUSED	D[15:8]	D[7:0]	UNUSED	0x0009 0004

	UNUSED	D[15:8]	D[7:0]	UNUSED	0x0009 FFFC
Reserved Space	UNUSED	D[15:8]	D[7:0]	UNUSED	0x000A 0000
	UNUSED	D[15:8]	D[7:0]	UNUSED	0x000A 0004

	UNUSED	D[15:8]	D[7:0]	UNUSED	0x000B FFFC
DSP P1 Program RAM Block	UNUSED	D[23:16]	D[15:8]	D[7:0]	0x000C 0000
	UNUSED	D[23:16]	D[15:8]	D[7:0]	0x000C 0004

	UNUSED	D[23:16]	D[15:8]	D[7:0]	0x000C FFFC
DSP P1 Program ROM Block	UNUSED	D[23:16]	D[15:8]	D[7:0]	0x000D 0000
	UNUSED	D[23:16]	D[15:8]	D[7:0]	0x000D 0004

	UNUSED	D[23:16]	D[15:8]	D[7:0]	0x000D 3FFC
Reserved Space	RESERVED	RESERVED	RESERVED	RESERVED	0x000D 4000

	RESERVED	RESERVED	RESERVED	RESERVED	0x000F FFFC

¹The “...” entries in this table indicate the continuation of the pattern shown in the first rows of each section.

16-Bit PCI DSP Memory Map (BAR3)

The complete PCI address footprint for the ADSP-2192M DSP Memory Spaces in 16-bit (BAR3) Mode is shown in [Table 9](#).

Table 9. 16-Bit PCI DSP Memory Map (BAR3 Mode)¹

Block	Byte3	Byte2	Byte1	Byte0	Offset
DSP P0 Data RAM Block 0	D[15:8]	D[7:0]	D[15:8]	D[7:0]	0x0000 0000
	D[15:8]	D[7:0]	D[15:8]	D[7:0]	0x0000 0004

	D[15:8]	D[7:0]	D[15:8]	D[7:0]	0x0000 7FFC
DSP P0 Data RAM Block 1	D[15:8]	D[7:0]	D[15:8]	D[7:0]	0x0000 8000
	D[15:8]	D[7:0]	D[15:8]	D[7:0]	0x0000 8004

	D[15:8]	D[7:0]	D[15:8]	D[7:0]	0x0000 FFFC
DSP P0 Data RAM Block 2	D[15:8]	D[7:0]	D[15:8]	D[7:0]	0x0001 0000
	D[15:8]	D[7:0]	D[15:8]	D[7:0]	0x0001 0004

	D[15:8]	D[7:0]	D[15:8]	D[7:0]	0x0001 7FFC

Table 9. 16-Bit PCI DSP Memory Map (BAR3 Mode)¹ (continued)

Block	Byte3	Byte2	Byte1	Byte0	Offset
DSP P0 Data RAM Block 3	D[15:8]	D[7:0]	D[15:8]	D[7:0]	0x0001 8000
	D[15:8]	D[7:0]	D[15:8]	D[7:0]	0x0001 8004

	D[15:8]	D[7:0]	D[15:8]	D[7:0]	0x0001 FFFC
DSP P0 Program RAM Block	D[23:16]	D[15:8]	D[23:16]	D[15:8]	0x0002 0000
	D[23:16]	D[15:8]	D[23:16]	D[15:8]	0x0002 0004

	D[23:16]	D[15:8]	D[23:16]	D[15:8]	0x0002 7FFC
DSP P0 Program ROM Block	D[23:16]	D[15:8]	D[23:16]	D[15:8]	0x0002 8000
	D[23:16]	D[15:8]	D[23:16]	D[15:8]	0x0002 8004

	D[23:16]	D[15:8]	D[23:16]	D[15:8]	0x0002 9FFC
Reserved Space	RESERVED	RESERVED	RESERVED	RESERVED	0x0002 A000

	RESERVED	RESERVED	RESERVED	RESERVED	0x0003 FFFC
DSP P1 Data RAM Block 0	D[15:8]	D[7:0]	D[15:8]	D[7:0]	0x0004 0000
	D[15:8]	D[7:0]	D[15:8]	D[7:0]	0x0004 0004

	D[15:8]	D[7:0]	D[15:8]	D[7:0]	0x0004 7FFC
DSP P1 Data RAM Block 1	D[15:8]	D[7:0]	D[15:8]	D[7:0]	0x0004 8000
	D[15:8]	D[7:0]	D[15:8]	D[7:0]	0x0004 8004

	D[15:8]	D[7:0]	D[15:8]	D[7:0]	0x0004 FFFC
Reserved Space	RESERVED	RESERVED	RESERVED	RESERVED	0x0005 0000

	RESERVED	RESERVED	RESERVED	RESERVED	0x0005 FFFC
DSP P1 Program RAM Block	D[23:16]	D[15:8]	D[23:16]	D[15:8]	0x0006 0000
	D[23:16]	D[15:8]	D[23:16]	D[15:8]	0x0006 0004

	D[23:16]	D[15:8]	D[23:16]	D[15:8]	0x0006 7FFC
DSP P1 Program ROM Block	D[23:16]	D[15:8]	D[23:16]	D[15:8]	0x0006 8000
	D[23:16]	D[15:8]	D[23:16]	D[15:8]	0x0006 8004

	D[23:16]	D[15:8]	D[23:16]	D[15:8]	0x0006 9FFC
Reserved Space	RESERVED	RESERVED	RESERVED	RESERVED	0x0006 A000

	RESERVED	RESERVED	RESERVED	RESERVED	0x0007 FFFC

¹The “...” entries in this table indicate the continuation of the pattern shown in the first rows of each section.

16-Bit PCI DSP I/O Memory Map (BAR4)

PCI Base Address Register (BAR4) allows indirect access to the ADSP-2192M Control Registers and DSP Memory. The DSP Memory Indirect Access Registers accessible from BAR4 are shown in [Table 10](#).

DSP P0 Memory Indirect Address Space occupies PCI BAR4 Space 0x000000 through 0x01FFFF

DSP P1 Memory Indirect Address Space occupies PCI BAR4 Space 0x020000 through 0x03FFFF

All Indirect DSP Memory Accesses are 24-bit or 16-bit Word Accesses.

Using the USB Interface

The ADSP-2192M USB design enables the ADSP-2192M to be configured and attached to a single device with multiple interfaces and various endpoint configurations, as follows:

1. Programmable descriptors and a class-specific command interpreter are accessible through the USB 8052 registers. An 8052 compatible MCU is supported on-board, to enable soft downloading of different configurations, and support of standard or class-specific commands.
2. A total of eight user-defined endpoints are provided. Endpoints can be configured as BULK, ISO, or INT, and can be grouped.

ADSP-2192M

Table 10. 16-Bit PCI DSP I/O Space Indirect Access Registers Map (BAR4 Mode)

Offset	Name	Reset	Comments
0x03–0x00	Control Register Address	0x0000	Address and direction control for register accesses
0x07–0x04	Control Register Data	0x0000	Data for register accesses
0x0B–0x08	DSP Memory Address	0x000000	Address and Direction control for Indirect DSP memory accesses
0x0F–0x0C	DSP Memory Data	0x000000	Data for DSP memory accesses

USB DSP Register Definitions

For each endpoint, four registers are defined to provide a memory buffer in the DSP. These registers are defined for each endpoint shared by all defined interfaces, for a total of $4 \times 8 = 32$ registers. These registers are read/write by the DSP only. They are described in [Table 11](#).

Table 11. USB DSP Register Definitions

Page	Address	Name	Comment
0x0C	0x0–0x3	DSP Memory Buffer Base Addr	EP4
0x0C	0x4–0x5	DSP Memory Buffer Size	EP4
0x0C	0x6–0x7	DSP Memory Buffer RD Offset	EP4
0x0C	0x8–0x9	DSP Memory Buffer WR Offset	EP4
0x0C	0x10–0x13	DSP Memory Buffer Base Addr	EP5
0x0C	0x14–0x15	DSP Memory Buffer Size	EP5
0x0C	0x16–0x17	DSP Memory Buffer RD Offset	EP5
0x0C	0x18–0x19	DSP Memory Buffer WR Offset	EP5
0x0C	0x20–0x23	DSP Memory Buffer Base Addr	EP6
0x0C	0x24–0x25	DSP Memory Buffer Size	EP6
0x0C	0x26–0x27	DSP Memory Buffer RD Offset	EP6
0x0C	0x28–0x29	DSP Memory Buffer WR Offset	EP6
0x0C	0x30–0x33	DSP Memory Buffer Base Addr	EP7
0x0C	0x34–0x35	DSP Memory Buffer Size	EP7
0x0C	0x36–0x37	DSP Memory Buffer RD Offset	EP7
0x0C	0x38–0x39	DSP Memory Buffer WR Offset	EP7
0x0C	0x40–0x43	DSP Memory Buffer Base Addr	EP8
0x0C	0x44–0x45	DSP Memory Buffer Size	EP8

Table 11. USB DSP Register Definitions (continued)

Page	Address	Name	Comment
0x0C	0x46–0x47	DSP Memory Buffer RD Offset	EP8
0x0C	0x48–0x49	DSP Memory Buffer WR Offset	EP8
0x0C	0x50–0x53	DSP Memory Buffer Base Addr	EP9
0x0C	0x54–0x55	DSP Memory Buffer Size	EP9
0x0C	0x56–0x57	DSP Memory Buffer RD Offset	EP9
0x0C	0x58–0x59	DSP Memory Buffer WR Offset	EP9
0x0C	0x60–0x63	DSP Memory Buffer Base Addr	EP10
0x0C	0x64–0x65	DSP Memory Buffer Size	EP10
0x0C	0x66–0x67	DSP Memory Buffer RD Offset	EP10
0x0C	0x68–0x69	DSP Memory Buffer WR Offset	EP10
0x0C	0x70–0x73	DSP Memory Buffer Base Addr	EP11
0x0C	0x74–0x75	DSP Memory Buffer Size	EP11
0x0C	0x76–0x77	DSP Memory Buffer RD Offset	EP11
0x0C	0x78–0x79	DSP Memory Buffer WR Offset	EP11
0x0C	0x80–0x81	USB Descriptor Vendor ID	
0x0C	0x84–0x85	USB Descriptor Product ID	
0x0C	0x86–0x87	USB Descriptor Release Number	
0x0C	0x88–0x89	USB Descriptor Device Attributes	

USB DSP Memory Buffer Base Addr Register

Points to the base address for the DSP memory buffer assigned to this endpoint.

BA[17:0] = Memory Buffer Base Address

USB DSP Memory Buffer Size Register

Indicates the size of the DSP memory buffer assigned to this endpoint.

SZ[15:0] = Memory Buffer Size

USB DSP Memory Buffer RD Pointer Offset Register

The offset from the base address for the read pointer of the memory buffer assigned to this endpoint.

RD[15:0] = Memory Buffer RD Offset

USB DSP Memory Buffer WR Pointer Offset Register

The offset from the base address for the write pointer of the memory buffer assigned to this endpoint.

WR[15:0] = Memory Buffer WR Offset

USB Descriptor Vendor ID

The Vendor ID returned in the GET DEVICE DESCRIPTOR command is contained in this register. The DSP can change the Vendor ID by writing to this register during the Serial EEPROM initialization. The default Vendor ID is 0x0456, which corresponds to Analog Devices, Inc.

V[15:0] = Vendor ID (default = 0x0456)

USB Descriptor Product ID

The Product ID returned in the GET DEVICE DESCRIPTOR command is contained in this register. The DSP can change the Product ID by writing to this register during the Serial EEPROM initialization. The default Product ID is 0x2192.

P[15:0] = Product ID (default = 0x2192)

USB Descriptor Release Number

The Release Number returned in the GET DEVICE DESCRIPTOR command is contained in this register. The DSP can change the Release Number by writing to this register during the Serial EEPROM initialization. The default Release Number is 0x0100, which corresponds to Version 01.00.

R[15:0] = Release Number (default = 0x0100)

USB Descriptor Device Attributes

The device-specific attributes returned in the GET DEVICE DESCRIPTOR command are contained in this register. The DSP can change the attributes by writing to this register during the Serial EEPROM initialization. The default attributes are 0x80FA, which correspond to bus-powered, no remote wake-up, and max power = 500 mA.

- SP: 1 = self-powered, 0 = bus-powered (default = 0)
- RW: 1 = have remote wake-up capability, 0 = no remote wake-up capability (default = 0)
- C[7:0] = power consumption from bus, expressed in 2 mA units (default = xFA 500 mA)

USB DSP MCU Register Definitions

MCU registers, described in [Table 12](#), are defined in four memory spaces that are grouped by the following address ranges:

- 0x0XXX—This address range defines general-purpose USB status and control registers
- 0x1XXX—This address range defines registers that are specific to endpoint setup and control
- 0x2XXX—This address range defines the registers used for REGIO accesses to the DSP register space
- 0x3XXX—This address range defines the MCU program memory write address space

Table 12. USB MCU Register Definitions

Address	Name	Comments
0x0000–0x0007	USB SETUP Token Cmd	Eight Bytes Total
0x0008–0x000F	USB SETUP Token Data	Eight Bytes Total
0x0010–0x0011	USB SETUP Counter	16-bit Counter
0x0012–0x0013	USB Control	Miscellaneous control including re-attach
0x0014–0x0015	USB Address/Endpoint	Address of device/active endpoint
0x0016–0x0017	USB Frame Number	Current frame number
0x0030–0x0031	USB Serial EEPROM Mailbox 1	Defined by Analog Devices
0x0032–0x0033	USB Serial EEPROM Mailbox 2	Defined by Analog Devices
0x0034–0x0035	USB Serial EEPROM Mailbox 3	Defined by Analog Devices
0x1000–0x1001	USB EP4 Description	Configures endpoint
0x1002–0x1003	USB EP4 NAK	Counter
0x1004–0x1005	USB EP5 Description	Configures endpoint
0x1006–0x1007	USB EP5 NAK	Counter
0x1008–0x1009	USB EP6 Description	Configures endpoint
0x100A–0x100B	USB EP6 NAK	Counter
0x100C–0x100D	USB EP7 Description	Configures endpoint
0x100E–0x100F	USB EP7 NAK	Counter
0x1010–0x1011	USB EP8 Description	Configures endpoint
0x1012–0x1013	USB EP8 NAK	Counter
0x1014–0x1015	USB EP8 Description	Configures endpoint
0x1016–0x1017	USB EP9 NAK	Counter
0x1018–0x1019	USB EP10 Description	Configures endpoint
0x101A–0x101B	USB EP10 NAK	Counter
0x101C–0x101D	USB EP11 Description	Configures endpoint
0x101E–0x101F	USB EP11 NAK	Counter
0x1020–0x1021	USB EP STALL	Policy
0x1040–0x1043	USB EP1 Code Download Base Address	Starting address for code download on endpoint 1

ADSP-2192M

Table 12. USB MCU Register Definitions (continued)

Address	Name	Comments
0x1044–0x1047	USB EP2 Code Download Base Address	Starting address for code download on endpoint 2
0x1048–0x104B	USB EP3 Code Download Base Address	Starting address for code download on endpoint 3
0x1060–0x1063	USB EP1 Code Current Write Pointer Offset	Current write pointer offset for code download on endpoint 1
0x1064–0x1067	USB EP2 Code Current Write Pointer Offset	Current write pointer offset for code download on endpoint 2
0x1068–0x106B	USB EP3 Code Current Write Pointer Offset	Current write pointer offset for code download on endpoint 3
0x2000–0x2001	USB Register I/O Address	
0x2002–0x2003	USB Register I/O Data	
0x3000–0x3FFF	USB MCU Program Memory	

USB Endpoint Description Register

The endpoint description register provides the USB core with information about the endpoint type, direction, and max packet size. This register is read/write by the MCU only. This register is defined for endpoints 4–11.

- PS[9:0] MAX Packet Size for endpoint
- LT[1:0] Last transaction indicator bits: 00 = Clear, 01 = ACK, 10 = NAK, or 11 = ERR
- TY[1:0] Endpoint type bits: 00 = DISABLED, 01 = ISO, 10 = Bulk, or 11 = Interrupt
- DR Endpoint direction bit: 1 = IN or 0 = OUT
- TB Toggle bit for endpoint. Reflects the current state of the DATA toggle bit.

USB Endpoint NAK Counter Register

This register records the number of sequential NAKs that have occurred on a given endpoint. This register is defined for endpoints 4–11. This register is read/write by the MCU only.

- N[3:0] NAK counter. Number of sequential NAKs that have occurred on a given endpoint. When N[3:0] is equal to the base NAK counter NK[3:0], a zero-length packet or packet less than maxpacket size will be issued.
- ST 1 = Endpoint is stalled

USB Endpoint Stall Policy Register

This register contains NAK count and endpoint FIFO error policy bit. The STALL status bits for endpoints 1–3 are included as well. This register is read/write by the MCU only.

- ST[3:1] 1 = Endpoint is stalled. ST[1] maps to endpoint 1, ST[2] maps to endpoint 2, etc.
- NK[3:0] Base NAK counter. Determines how many sequential NAKs are issued before sending zero length packet on any given endpoint.
- FE FIFO error policy. 1 = When endpoint FIFO is over-run/underrun, STALL endpoint

USB Endpoint 1 Code Download Base Address Register

This register contains an 18-bit address which corresponds to the starting location for DSP code download on endpoint 1. This register is read/write by the MCU only.

USB Endpoint 2 Code Download Base Address Register

This register contains an 18-bit address which corresponds to the starting location for DSP code download on endpoint 2. This register is read/write by the MCU only.

USB Endpoint 3 Code Download Base Address Register

This register contains an 18-bit address which corresponds to the starting location for DSP code download on endpoint 3. This register is read/write by the MCU only.

USB Endpoint 1 Code Current Write Pointer Offset Register

This register contains an 18-bit address which corresponds to the current write pointer offset from the base address register for DSP code download on endpoint 1. The sum of this register and the EP1 Code Download Base Address Register represents the last DSP PM location written.

This register is read by the MCU only and is cleared to 3FFFF (–1) when the Endpoint 1 Code Download Base Address Register is updated.

USB Endpoint 2 Code Current Write Pointer Offset Register

This register contains an 18-bit address that corresponds to the current write pointer offset from the base address register for DSP code download on endpoint 2. The sum of this register and the EP2 Code Download Base Address Register represents the last DSP PM location written.

This register is read by the MCU only and is cleared to 3FFFF (–1) when the Endpoint 2 Code Download Base Address Register is updated.

USB Endpoint 3 Code Current Write Pointer Offset Register

This register contains an 18-bit address which corresponds to the current write pointer offset from the base address register for DSP code download on endpoint 3. The sum of this register and the EP3 Code Download Base Address Register represents the last DSP PM location written.

This register is read by the MCU only and is cleared to 3FFFF (–1) when the Endpoint 3 Code Download Base Address Register is updated.

USB SETUP Token Command Register

This register is defined as eight bytes long and contains the data sent on the USB from the most recent SETUP transaction. This register is read by the MCU only.

USB SETUP Token Data Register

If the most recent SETUP transaction involves a data OUT stage, this register is defined as eight bytes long and contains the data sent on the USB during the data stage. This is also where the MCU will write data to be sent in response to a SETUP transaction involving a data IN stage. This register is read/write by the MCU only.

USB SETUP Counter Register

This register provides information as the total size of the setup transaction data stage. This register is read/write by the MCU only.

- C[3:0] Total amount of data (bytes) to be sent/received during the data stage of the SETUP transaction

USB Register I/O Address Register

This register contains the address of the ADSP-2192M register that is to be read/written. This register is read/write by the MCU only.

- A[15] Start ADSP-2192M read/write cycle
- A[14] 1 = WRITE, 0 = READ
- A[13:0] ADSP-2192M address to read/write

USB Register I/O Data Register

This register contains the data of the ADSP-2192M register which has been read or is to be written. This register is read/write by the MCU only.

- D[15:0] During READ this register contains the data read from the ADSP-2192M; during WRITE this register is the data to be written to the ADSP-2192M.

USB Control Register

This register controls various USB functions. This register is read/write by the MCU only.

- MO 1 = MCU has completed boot sequence and is ready to respond to USB commands
- DI 1 = Disconnect CONFIG device and enumerate again using the downloaded MCU configuration
- BB 1 = After reset boot from MCU RAM; 0 = after reset boot from MCU ROM
- INT = Active interrupt for the 8052 MCU
- ISE = Current interrupt is for a SETUP token
- IIN = Current interrupt is for an IN token
- IOU = Current interrupt is for an OUT token
- ER = Error in the current SETUP transaction. Generate STALL condition on EP0.

USB Address/Endpoint Register

This register contains the USB address and active endpoint. This register is read/write by the MCU only.

- A[6:0] USB address assigned to device
- EP[3:0] USB last active endpoint

USB Frame Number Register

This register contains the last USB frame number. This register is read by the MCU only.

- FN[10:0] USB frame number

General USB Device Definitions

The following tables define the USB device descriptors: [Table 13](#) describes the USB device descriptor; offset fields 8–13 are user-definable via Serial EEPROM. [Table 14](#) describes the USB configuration descriptor; offset fields 7–8 are user-definable via Serial EEPROM. [Table 15](#), [Table 16](#), and [Table 17](#) describe the USB string descriptor indexes.

Table 13. CONFIG DEVICE Device Descriptor

Offset	Field	Description	Value
0	bLength	Length = 18 bytes	0x12
1	bDescriptorType	Type = DEVICE	0x01
2–3	bcdUSB	USB Spec 1.1	0x0110
4	bDeviceClass	Device class vendor specific	0xFF
5	bDeviceSubClass	Device sub-class vendor specific	0xFF
6	bDeviceProtocol	Device protocol vendor specific	0xFF
7	bMaxPacketSize	Max packet size for EP0 = eight bytes	0x08
8–9	idVendor (L)	Vendor ID (L) = 0456 ADI	0x0456
10–11	idProduct (L)	Product ID (L) = ADSP-2192M	0x2192
12–13	bcdDevice (L)	Device release number = 1.00	0x0100
14	iManufacturer	Manufacturer index string	0x01
15	iProduct	Product index string	0x02
16	iSerialNumber	Serial number index string	0x00
17	bNumConfigurations	Number of configurations = 1	0x01

ADSP-2192M

Table 14. CONFIG DEVICE Configuration Descriptor

Offset	Field	Description	Value
0	bLength	Descriptor Length = nine bytes	0x09
1	bDescriptorType	Descriptor Type = Configuration	0x02
2	wTotalLength (L)	Total Length (L)	0x12
3	wTotalLength (H)	Total Length (H)	0x00
4	bNumInterfaces	Number of Interfaces	0x01
5	bConfigurationValue	Configuration Value	0x01
6	iConfiguration	Index of string descriptor (None)	0x00
7	bmAttributes	Bus powered, no wake-up	0x80
8	MaxPower	Max power = 500 mA	0xFA

Table 15. CONFIG DEVICE String Descriptor Index 0

Offset	Field	Description	Value
0	bLength	Descriptor Length = 4 bytes	0x04
1	bDescriptorType	Descriptor Type = String	0x03
2	wLANGID[0]	LangID = 0409 (US English)	0x0409

Table 16. CONFIG DEVICE Descriptor Index 1 (Manufacturer)

Offset	Field	Description	Value
0	bLength	Descriptor Length = 20 bytes	0x14
1	bDescriptorType	Descriptor Type = String	0x03
2–19	bString	ADI	

Table 17. CONFIG DEVICE String Descriptor Index 2 (Product)

Offset	Field	Description	Value
0	bLength	Descriptor Length = 34 bytes	0x22
1	bDescriptorType	Descriptor Type = String	0x03
2–31	bString	Analog Devices USB Device	

Configuration 0, 1, and 2 Device Definition

- FIXED ENDPOINTS
- CONTROL ENDPOINT 0
 - Type: Control
 - Dir: Bidirectional
 - Maxpacket size: 8
- BULK OUT ENDPOINT 1, 2, 3 = Used for code download to DSP
 - Type: Bulk
 - Dir: OUT
 - Maxpacket size: 64
- PROGRAMMABLE ENDPOINTS: 4 5 6 7 8 9 10 11
 - Programmable in:
 - Type: via USB Endpoint Description Register
 - Direction: via USB Endpoint Description Register
 - Maxpacket size: via USB Endpoint Description Register
 - Memory Allocation: via DSP Memory Buffer Base Addr, DSP Memory Buffer Size, DSP Memory Buffer RD Pointer Offset, DSP Memory Buffer Write Pointer Offset Registers

Note: The GENERIC endpoints are shared between all interfaces.

Endpoint 0 Definition

In addition to the normally defined USB standard device requests, the following vendor specific device requests are supported with the use of EP0. These requests are issued from the host driver via normal SETUP transactions on the USB.

USB MCU Code Download

USB MCUCODE is a three-stage control transfer with an OUT data stage. Stage 1 is the SETUP stage, stage 2 is the data stage involving the OUT packet, and stage 3 is the status stage. The length of the data stage is determined by the driver and is specified by the total length of the MCU code to be downloaded. See [Table 18](#) for details about the USB MCUCODE (code download) fields.

USB REGIO (Write)

Address 15–15 = 1 indicates a write to the MCU register space; Address 15–15 = 0 indicates a write to the DSP register space. When accessing DSP register space, the MCU must write the data to be written into the USB Register I/O Data register and

Table 18. USB MCUCODE (Code Download)

Offset	Field	Size	Value	Description
0	bmRequest	1	0x40	Vendor Request, OUT
1	bRequest	1	0xA1	USB MCUCODE
2	wValue (L)	1	XXX	Address 7–0
3	wValue (H)	1	XXX	Address 15–8
4	wIndex (L)	1	0x00	
5	wIndex (H)	1	0x00	
6	wLength (L)	1	0xXX ¹	Length = XX bytes
7	wLength (H)	1	0xYY ²	Length = YY bytes

¹XX is user-specified.

²YY is user-specified.

write the address to be written to the USB Register I/O Address register. Bit 15 of the USB Register I/O Address register starts the transaction and Bit 14 is set to one to indicate a WRITE.

USB REGIO (register write) is a three-stage control transfer with an OUT data stage. Stage 1 is the SETUP stage, stage 2 is the data stage involving the OUT packet, and stage 3 is the status stage. See [Table 19](#) for details about the USB REGIO (register write) fields.

Table 19. USB REGIO (Register Write)

Offset	Field	Size	Value	Description
0	bmRequest	1	0x40	Vendor Request, OUT
1	bRequest	1	0xA0	USB REGIO
2	wValue (L)	1	XXX	Address 7–0
3	wValue (H)	1	XXX	Address 15–8
4	wIndex (L)	1	0x00	
5	wIndex (H)	1	0x00	
6	wLength (L)	1	0x02	Length = 02 bytes
7	wLength (H)	1	0x00	

USB REGIO (Read)

Address 15–15 = 1 indicates a read to the MCU register space; Address 15–15 = 0 indicates a read to the DSP register space. When accessing DSP register space, the MCU must write the address to be read to the USB Register I/O Address register.

Bit 15 of the USB Register I/O Address register starts the transaction, and Bit 14 is set to zero to indicate a READ. The data read will be placed into the USB Register I/O Data register.

USB REGIO (register read) is a three-stage control transfer with an IN data stage. Stage 1 is the SETUP stage, stage 2 is the data stage involving the IN packet, and stage 3 is the status stage. See [Table 20](#) for details about the USB REGIO (register read) fields.

Table 20. USB REGIO (Register Read)

Offset	Field	Size	Value	Description
0	bmRequest	1	0xC0	Vendor Request, IN
1	bRequest	1	0xA0	USB REGIO
2	wValue (L)	1	XXX	Address 7–0
3	wValue (H)	1	XXX	Address 15–8
4	wIndex (L)	1	0x00	
5	wIndex (H)	1	0x00	
6	wLength (L)	1	0x02	Length = 02 bytes
7	wLength (H)	1	0x00	

DSP Code Download

Because EP0 has a max packet size of only eight, downloading DSP code on EP0 can be inefficient when operating on a UHCI controller that allows only a fixed quantity of control transactions per frame. Therefore, to gain better throughput for code download, downloading of DSP code involves synchronizing a control SETUP command on EP0 with BULK OUT commands on endpoints 1, 2, or 3. Each endpoint has an associated DSP download address that is set by using USB REGIO (write) command.

Because three possible interfaces are supported, each interface has its own DSP download address and uses its own BULK pipe to download code. The driver for each interface must set the download address before beginning to use the BULK pipe to download DSP code. The download address will auto-increment as each byte of data is sent on the BULK pipe to the DSP.

DSP instructions are three bytes long, and USB BULK pipes have even-number packet sizes. The instructions to be downloaded must be formatted into four-byte groups with the least significant byte always zero. The USB interface strips off the least significant byte and properly formats the DSP instruction before writing it into the program memory. For example, to write the three-byte opcode 0x400000 to DSP program memory, the driver sends 0x40000000 down the BULK pipe.

The following example illustrates the proper order of commands and synchronizing that the driver must follow.

1. Device enumerates with two interfaces. Each interface has the capability to download DSP code and can initiate at any time.
2. The driver for interface 1 begins code download by sending the USB REGIO (write) command with the starting download address. The driver must wait for this command to finish before starting code download.
3. The driver for interface 2 begins code download by sending the USB REGIO (write) command with the starting download address. The driver must wait for this command to finish before starting code download.
4. Each driver now streams the code to be downloaded to the DSP: driver 1 onto BULK EP1 for interface 1, and driver 2 onto BULK EP2 for interface 2. The code is written to the DSP in 3-byte instructions starting at the

ADSP-2192M

location specified by the USB REGIO (write) command. The driver must wait for each command to finish before sending a new code download address.

- If there is more code to be downloaded at a different starting address, the driver begins the entire sequence again, using steps 1–4.

General Comments:

- DSP code download is only available after the ADSP-2192M has re-enumerated using the MCU soft firmware. The DSP code download command will not be available in the MCU boot ROM for the default CONFIG device.
- After setting the download addresses using the USB REGIO (write) command, code download can be initiated for any length using normal BULK traffic.

Example Initialization Process

After attachment to the USB bus, the ADSP-2192M identifies itself as a CONFIG device with one endpoint, which refers to its one control, EP0. This will cause a generic user-defined CONFIG driver to load.

The CONFIG driver downloads appropriate MCU code to setup the MCU, which includes the specific device descriptors, interfaces, and endpoints.

The external Serial EEPROM is read by the DSP and transferred to the MCU. The CONFIG driver through the control EP0 pipe generates a register read to determine the configuration value. Based on this configuration code, the host downloads the proper USB configurations to the MCU.

Finally, the driver writes the USB Control Register, causing the device to disconnect and then reconnect so the new downloaded configuration is enumerated by the system. Upon enumeration, each interface loads the appropriate device driver.

An example of this procedure is configuring the ADSP-2192M to be an ADSL modem and a FAX modem.

- ADSP-2192M device is attached to USB bus. System enumerates the CONFIG device in the ADSP-2192M first. A user-defined driver is loaded.
- The user-defined driver reads the device descriptor, which identifies the card as an ADSL/FAX modem.
- The user-defined driver downloads USB configuration and MCU code to the MCU for interface 1, which is the ADSL modem.
- Configuration specifies which endpoints are used (and their definitions). A typical configuration for ADSL appears in [Table 21](#).
- The user-defined driver downloads USB configuration for interface 2, which is the FAX modem. Configuration specifies which endpoints are used and their definitions. A typical configuration for FAX appears in [Table 22](#).
- The user-defined driver now writes the USB Config Register, which causes the device to disconnect and reconnect. The system enumerates all interfaces and loads the appropriate drivers.

- ADSL driver downloads code to DSP for ADSL service. DSP also initializes the USB Endpoint Description Register, DSP Memory Buffer Base Addr Register, DSP Memory Buffer Size Register, DSP Memory Buffer RD Pointer Offset, and DSP Memory Buffer WR Pointer Offset registers for each endpoint. Endpoints can only be used when these registers have been written. ADSL service is now available.
- FAX driver downloads code to DSP for FAX service. DSP also initializes the USB Endpoint Description Register, DSP Memory Buffer Base Addr Register, DSP Memory Buffer Size Register, DSP Memory Buffer RD Pointer Offset, and DSP Memory Buffer WR Pointer Offset registers for each endpoint. Endpoints can only be used when the above registers have been written. FAX service is now available.

USB Data Pipe Operations

All data transactions involving the generic endpoints (4–11) stream data into and out of the DSP memory via a dedicated USB hardware block. This hardware block manages all USB transactions for these endpoints and serves as a conduit for the data moving to and from the DSP memory FIFOs. There is no MCU involvement in the management of these data pipes.

Table 21. Typical Configuration for ADSL Modem

End Point	Type	Max Packet	Comment
1	BULK OUT	64	DSP CODE
4	BULK IN	64	ADSL RCV
5	BULK OUT	64	ADSL XMT
6	INT IN	16	STATUS

Table 22. Typical Configuration for FAX Modem

End Point	Type	Max Packet	Comment
2	BULK OUT	64	DSP CODE
7	BULK IN	64	FAX RCV
8	BULK OUT	64	FAX XMT
9	INT IN	16	STATUS

The USB data FIFOs for these generic endpoints exist in DSP memory space. The following memory buffer registers exist for each endpoint:

- Base Address (18 bits)
- Size (16 bits) – Offset from the Base Address
- Read Offset (16 bits) – Offset from the Base Address
- Write Offset (16 bits) – Offset from the Base Address

As part of initialization, the DSP code sets up these FIFOs before USB data transactions for these endpoints can begin. When setting up these USB FIFOs, Base+Size/Read Offset/Write Offset cannot be greater than 18 bits. DSP memory addresses cannot exceed 18 bits (0x000000–0x03FFFF).

The DSP memory interface on the ADSP-2192M only allows reads/writes of 16-bit words. It cannot handle byte transactions. Therefore, a 64-byte maxpacket size means 32 DSP words. A single byte cannot be transferred to/from the DSP. Endpoint 0 does not have this limitation. Because these FIFOs exist in DSP memory, the DSP shares some pointer management tasks with the USB core. For OUT transactions, the write pointer is controlled by the USB core, while the read pointer is governed by the DSP. The opposite is true for IN transactions.

Both the write and read pointers for each memory buffer would begin at zero. All USB buffers operate in a circular fashion. Once a pointer reaches the end of the buffer, it will need to be set back to zero.

OUT Transactions (Host to Device)

When an OUT transaction arrives for a particular endpoint, the USB core calculates the difference between the write and read pointers to determine the amount of room available in the FIFOs. If all of the OUT data arrives and the write pointer never catches up to the read pointer, that data is Backed and the USB core updates the Memory Buffer Write Offset register.

If at any time during the transaction the two pointers collide, the USB block responds with a NAK indicating that the host must resend the same data packet; in that case, the write pointer remains unchanged.

If for some reason the host sends more data than the maxpacket size, the USB core accepts it, as long as there is sufficient room in the FIFO.

Because the DSP controls the read pointer, it must perform a similar calculation to determine if there is sufficient data in the FIFO to begin processing. Once The DSP has consumed some amount of data, it will need to update the Memory Buffer Read Offset register.

IN Transactions (Device to Host)

When an IN transaction arrives for a particular endpoint, the USB core once again computes how much read data is available in the FIFO. It also determines if the amount of read data is greater than or equal to the maxpacket size. If both conditions are met, the USB core will transfer the data. Upon receiving ACK from the host, the USB core updates the Memory Buffer Read Offset register.

If the amount of read data is less than the maxpacket size (a short packet), the USB core determines whether to send the data based upon a NAK count limit. This is a 4-bit field in the Endpoint Stall Policy register that can be programmed with a value indicating how many NAKs should be sent prior to transmitting a short packet. This allows flexibility in determining how IRPs are retired via short packets.

Because the DSP controls the write pointer, it must determine if there is sufficient room in the FIFO for placing new data. Once it has completed writes to the FIFO, it needs to update the Memory Buffer Write Offset register.

Sub-ISA Interface

In systems that combine the ADSP-2192M chip with other devices on a single PCI interface, the ADSP-2192M Sub-ISA mode is used to provide a simpler interface (to a PCI function ASIC), which bypasses the ADSP-2192M's PCI interface.

In this mode, the Combo Master assumes all responsibility for interfacing the function to the PCI bus, including provision of Configuration Space registers for the ADSP-2192M system as a separate PnP function. In Sub-ISA Mode the PCI Pins are reconfigured for ISA operation as shown in [Table 23](#).

Table 23. Sub-ISA (PCI) Pin Descriptions

Pin Name	PCI Direction ¹	ISA Alias	ISA Direction	ISA Description
AD[15:0]	In/Out	ISAD[15:0]	In/Out	Data
AD[18:16]	In/Out	ISAA[3:1]	In	Register Address
AD[31:22]	In/Out	Unused	In	Tie to GND in Sub-ISA Mode
$\overline{\text{RST}}$	In	$\overline{\text{RST}}$	In	Reset
CBE0	In/Out	$\overline{\text{IOW}}$	In	Write Strobe
CBE1	In/Out	$\overline{\text{IOR}}$	In	Read Strobe
CBE2	In/Out	$\overline{\text{AEN}}$	In	Chip Select (Access Enable)
$\overline{\text{INTA}}$	Out (o/d)	$\overline{\text{IRQ}}$	Out	(CMOS) Interrupt (Active High)
AD21	In/Out	$\overline{\text{PDW1}}$	In	PCI D-state MSB (inverted) Power-Down
AD20	In/Out	$\overline{\text{PDW0}}$	In	PCI D-state LSB (inverted) Power-Down
AD19	In/Out	$\overline{\text{PME_EN}}$	In	PME Enable
PME	Out (o/d)	$\overline{\text{PME_RQ}}$	Out (o/d)	Power Management Event
CLK	In	Unused	In	Tie to GND in Sub-ISA Mode
CLKRUN	In/Out	IOCHRDY	Out	I/O Ready
CLKRUN	Out	IOCHRDY	Out	Acknowledge

¹o/d = Open Drain

ADSP-2192M

In Sub-ISA mode, the ADSP-2192M's PCI protocol is replaced with an ISA-like, asynchronous protocol controlled by the strobes $\overline{\text{IOR}}$, $\overline{\text{IOW}}$, and $\overline{\text{AEN}}$. Access is possible only to the PCI Base Address 4 (BAR4) Registers (the InDirect Access Registers). The Sub-ISA Address Map is shown in Table 24.

An active low $\overline{\text{RST}}$ input (to be derived from PCI $\overline{\text{RST}}$ and possible other sources) and an active-high IRQ interrupt output are available. Power Management is handled by the ADSP-2192M inputs $\overline{\text{PDW1-0}}$ / PME_EN and the ADSP-2192M output $\overline{\text{PMERQ}}$. $\overline{\text{PDW1-0}}$ should be the inversion of the PCI power state in the function's PMCSR register. $\overline{\text{PDW1}}$ is connected to AD21, and $\overline{\text{PDW0}}$ is connected to AD20.

Assertion of $\overline{\text{PDW1}}$ low signals a power-down interrupt to the DSP. Deassertion of $\overline{\text{PDW1}}$ high causes a wake-up of the DSP. The PME_EN output from the Combo Master should reflect the current PCI function PME_EN bit and should be connected to the ADSP-2192M AD20 pin. The PMI_EN bit should be set to enable interrupt and wake-up of the DSP upon any change of the PME_EN state. If PME_EN is turned off, the DSPs can wake up if necessary and then power themselves and the ADSP-2192M completely down (clocks stopped).

Table 24. Sub-ISA Indirect Access Registers

ISAA[3:1]	Name	Reset	Comments
0x0	Control Register Address	0x0000	Address and direction control for register accesses
0x1	Reserved		
0x2	Control Register Data	0x0000	Data for register accesses
0x3	Reserved		
0x5–0x4	DSP Memory Address	0x000000	Address and direction control for DSP memory accesses
0x7–0x6	DSP Memory Data	0x000000	

PCI Interface to DSP Memory

The PCI interface can directly access the DSP memory space using DMA transfers. The transactions can be either slave transfers, in which the host initiates the transaction, or master transfers, in which the ADSP-2192M initiates the PCI transaction. The registers that control PCI DMA transfers are accessible from both the DSP (on the Peripheral Device Control Bus) and the PCI Bus.

The PCI/Sub-ISA Bus uses the Peripheral Device Control Register Space which is distributed throughout the ADSP-2192M and connected through the Peripheral Device Control Bus. The PCI bus can access these registers directly.

USB Interface to DSP Memory

The USB interface can directly access the DSP memory space using DMA transfers to memory locations specified by the USB endpoints. The registers that control USB endpoint DMA transfers are accessible from both the DSP (on the Peripheral Device Control Bus) and the USB Bus.

The Peripheral Device Control Register Space is distributed throughout the ADSP-2192M and connected through the Peripheral Device Control Bus. The USB Bus can access these registers directly.

AC'97 Codec Interface to DSP Memory

Transfers from AC'97 data to DSP memory are accomplished using DMA transfer through the DSP FIFOs. Each DSP has four FIFOs available for data transfers to/from the AC'97 Codec Interface. The registers that control FIFO DMA transfers are only accessible from within the DSP and are defined as part of the core register space.

Data FIFO Architecture

Each DSP core within the ADSP-2192M contains four FIFOs which provide a data communication path to the rest of the chip. Two of the FIFOs are input FIFOs, receiving data into the DSP. The other two FIFOs are transmit FIFOs, sending data from the DSP to the codec, AC'97 interface, or the other DSP. Each FIFO is eight words deep and sixteen bits wide. Interrupts to the DSP can be generated when some words have been received in the input FIFOs, or when some words are empty in the Transmit FIFOs.

The interface to the FIFOs on the DSP is simply a register interface to the Peripheral Interface bus. TX0, RX0, TX1, and RX1 are the primary FIFO registers in the DSP's universal register map. The FIFOs can be used to generate interrupts to the DSP, based upon FIFO transactions, or they can initiate DMA requests.

When communicating with the AC'97 interface, the Connection Enable bits in the control register are set to 10. Bit 3 selects stereo or mono transfers to and from the AC'97 interface. Bits 7–4 select the AC'97 slot associated with this FIFO.

When stereo is selected, the slot identified and the next slot are both associated with the FIFO. Typically, stereo is selected for left and right data, and both left and right must be associated with the same external AC'97 codec and have their sample rates locked together. In this case, left and right data will alternate in the FIFO with the left data coming first.

If the FIFO is enabled for the AC'97 interface, and a valid request for data comes along that the FIFO cannot fulfill, the transmitter underflow bit is set, indicating that an invalid value was sent over the selected slot. Similarly, on the receive side, if the FIFO is full and another valid word is received, the Overflow bit is sent to indicate the loss of data.

FIFO Control Registers

The Transmit FIFO Control Register has the following bit field definitions:

- CE (Bits 1–0): Connection Enable (00 = Disable, 01 = Reserved, 10 = Connect to AC’97, and 11 = Reserved)
- DPSel (Bit 2): Reserved (0)
- SMSel (Bit 3): Stereo/Mono Select - AC’97 Mode Only (0 = Mono Stream or 1 = Stereo Stream)
- SLOT (Bits 7–4): AC’97 Slot Select - AC’97 Mode Only
- FIP (Bits 10–8): FIFO interrupt position. An interrupt is generated when FIP[2:0] words remain in the FIFO. The interrupt is level-sensitive.
- DME (Bit 11): DMA Enable. (0 = DMA Disabled or 1 = DMA Enabled)
- TFF (Bit 13): Transmit FIFO Full - Read Only. (0 = FIFO Not Full or 1 = FIFO Full)
- TFE (Bit 4): Transmit FIFO Empty - Read Only. (0 = FIFO Not Empty or 1 = FIFO Empty)
- TU (Bit 15): Transmit Underflow – Sticky, Write 1 Clear. (0 = FIFO Underflow has not occurred or 1 = FIFO Underflow has occurred)

Table 25. AC’97 Slot Select Values

Slot	Mono	Stereo
0000–0010	Reserved	Reserved
0011	Slot 3	Slots 3/4
0100	Slot 4	Slots 4/5
0101	Slot 5	Slots 5/6
0110	Slot 6	Slots 6/7
0111	Slot 7	Slots 7/8
1000	Slot 8	Slots 8/9
1001	Slot 9	Slots 9/10
1010	Slot 10	Slots 10/11
1011	Slot 11	Slots 11/12
1100	Slot 12	Not Allowed
1101–1111	Reserved	Reserved

The Receive FIFO Control Register has the following bit field definitions:

- CE (Bits 1–0): Connection Enable. (00 = Disable, 01 = Reserved, 10 = Connect to AC’97, 11 = Reserved)
- DPSel (Bit 2): Reserved (0)
- SMSel (Bit 3): Stereo/Mono Select - AC’97 Mode Only. (0 = Mono Stream or 1 = Stereo Stream)
- SLOT (Bits 7–4): AC’97 Slot Select - AC’97 Mode Only.
- FIP (Bit 10–8): FIFO interrupt position. An interrupt is generated when FIP[2:0] + 1 words have been received in the FIFO. The interrupt is level-sensitive.
- DME (Bit 11): DMA Enable. (0 = DMA Disabled or 1 = DMA Enabled)

- RFF (Bit 13): Receive FIFO Full – Read Only. (0 = FIFO Not Full or 1 = FIFO Full)
- RFE (Bit 14): Receive FIFO Empty – Read Only. (0 = FIFO Not Empty or 1 = FIFO Empty)
- RO (Bit 15): Receive Overflow – Sticky, Write 1 Clear. (0 = FIFO Overflow has not occurred or 1 = FIFO Overflow has occurred)

Table 26. AC’97 Slot Select Values

Slot	Mono	Stereo
0000–0010	Reserved	Reserved
0011	Slot 3	Slots 3/4
0100	Slot 4	Slots 4/5
0101	Slot 5	Slots 5/6
0110	Slot 6	Slots 6/7
0111	Slot 7	Slots 7/8
1000	Slot 8	Slots 8/9
1001	Slot 9	Slots 9/10
1010	Slot 10	Slots 10/11
1011	Slot 11	Slots 11/12
1100	Slot 12	Not Allowed
1101–1111	Reserved	Reserved

System Reset Description

There are several sources of reset to the ADSP-2192M.

- Power-On Reset
- PCI Reset
- USB Reset
- Soft Reset ($\overline{\text{RST}}$ in CMSR Register)

Power-On Reset

The DSP has an internal power-on reset circuit that resets the DSP when power is applied. The DSP also has a Power-On Reset $\overline{\text{PORST}}$ signal that can initiate this master reset. Note that $\overline{\text{PORST}}$ is not needed when using PCI or USB (and is shown as a no connect in Figure 7); these interfaces reset the DSP under their control as needed.

DSP Software Reset

The DSP can generate a software reset using the RSTD bit in DSP Interrupt/Power-down Registers). Generally, reset conditions are handled by forcing the DSPs to execute ROM- or RAM-based Reset Handler code. The Reset Handler that is executed can be dictated by the Reset Source as defined by the CRST[1:0] bits in the Chip Mode/Status Register (CMSR). The exact Reset Functionality is therefore defined by the ROM and RAM Reset Handler Code and as such is programmable.

Booting Modes

The ADSP-2192M has two mechanisms for automatically loading internal program memory after reset. The CRST pins, sampled during power-on reset, implement these modes:

- Boot from PCI Host
- Boot from USB Host

ADSP-2192M

Optionally, extra boot information can come from an SPI or Microwire serial EPROM during PCI or USB booting. The boot process flow appears in [Figure 5](#).

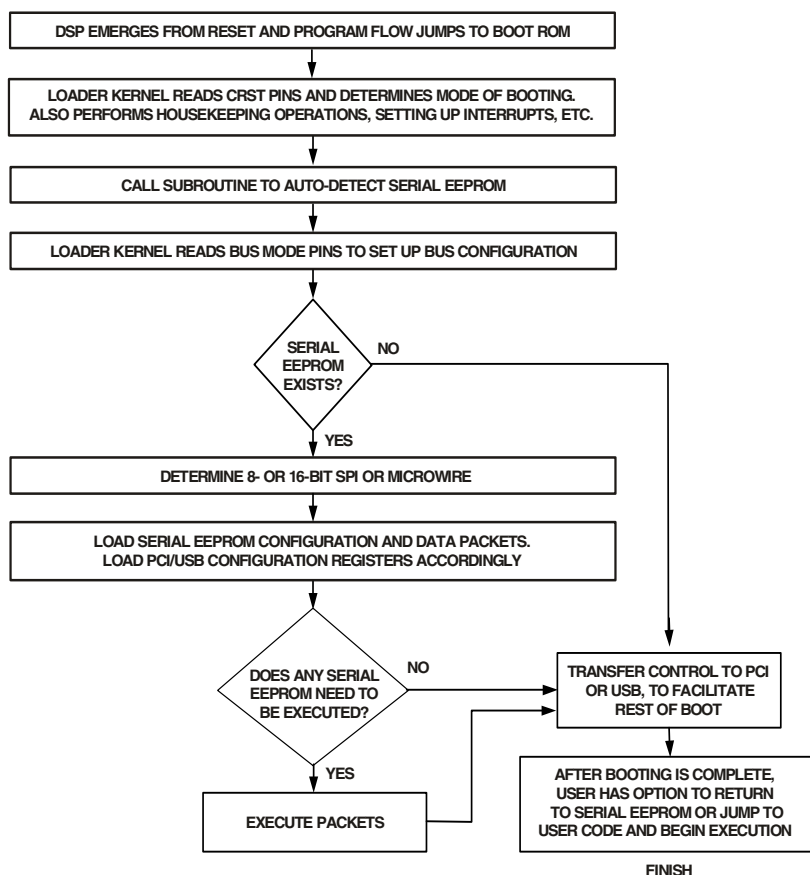


Figure 5. Boot Process Flow

Power Management Description

The ADSP-2192M supports several states with distinct power management and functionality capabilities. These states encompass both hardware and software states.

The driver and DSP code take responsibility for detailed power management of the modem, so minimum power levels are achieved regardless of OS or BIOS. In response to events, the driver and DSPs manage power by changing platform states as necessary.

Power Regulators

The ADSP-2192M is intended to operate in a variety of different systems. These include PCI, CardBus, USB, and embedded (Sub-ISA) applications. The PCI and USB specifications define power consumption limits that constrain the design of the DSP.

2.5 V Regulator Options

In 5 V and 3.3 V PCI applications the ADSP-2192M 2.5 V IVDD supply will be generated by an on-chip regulator. The internal 2.5 V supply (IVDD) can be generated by the on-chip regulator combined with an external power transistor as shown in [Figure 6](#). To support the PCI specification's power-down modes, the two transistors control the primary and auxiliary supply. If the reference voltage on RVDD (typically the same as PCIVDD) drops out, the VCTRLAUX will switch on the device connected to PCIVAUX and VCTRLVDD will switch off the primary supply. USB applications may require an external high efficiency switching regulator to generate the 2.5 V supply for the ADSP-2192M.

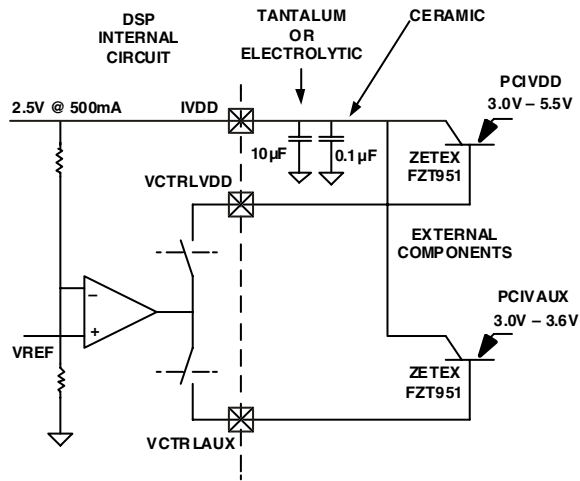


Figure 6. 2.5 V Regulator Options

Low Power Operation

In addition to supporting the PCI and USB standards' power-down modes, additional power-down modes for the DSP cores and peripheral buses are supported by the ADSP-2192M. The power-down modes are controlled by the DSP1 and DSP2 Interrupt/Power-down registers.

Clock Signals

The ADSP-2192M can be clocked by a crystal oscillator. If a crystal oscillator is used, the crystal should be connected across the XTALI/O pins, with two capacitors connected as shown in

Figure 7. Capacitor values are dependent on crystal type and should be specified by the crystal manufacturer. A parallel-resonant, fundamental frequency, microprocessor-grade 24.576 MHz crystal should be used for this configuration.

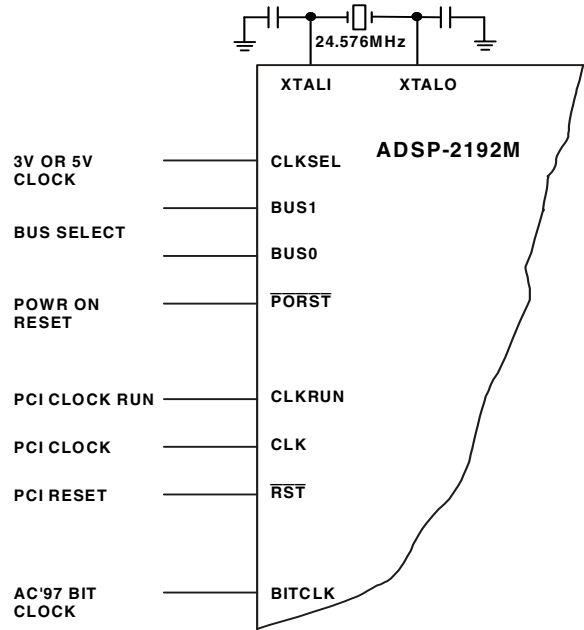


Figure 7. External Crystal Connections

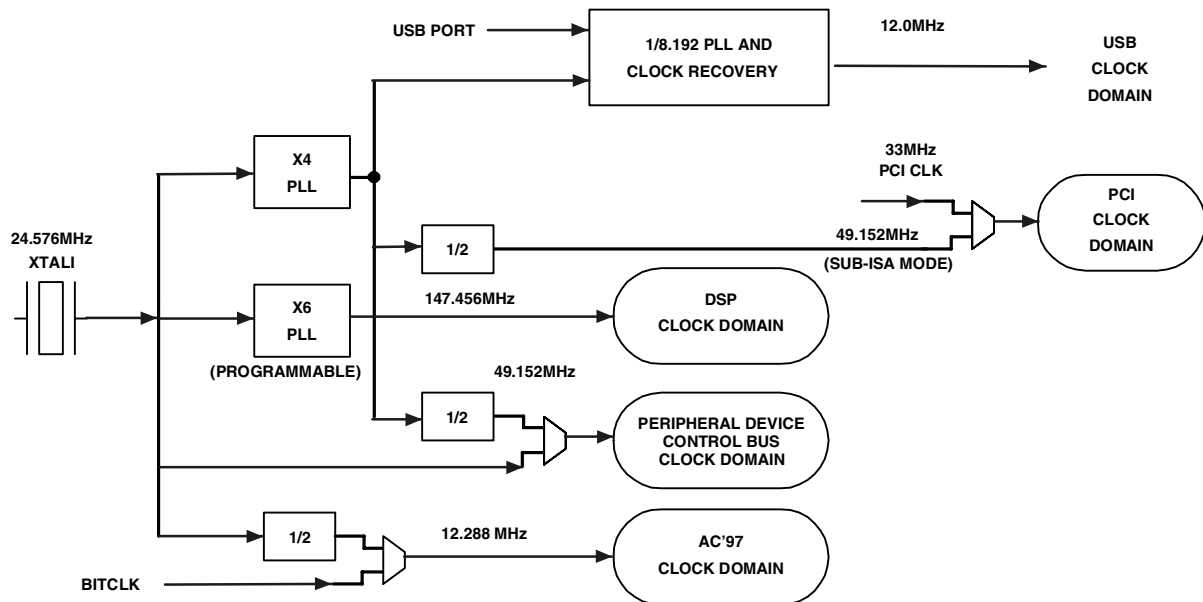


Figure 8. Clock Domains

ADSP-2192M

Instruction Set Description

The ADSP-2192M assembly language instruction set has an algebraic syntax that was designed for ease of coding and readability. The assembly language, which takes full advantage of the processor's unique architecture, offers the following benefits:

- ADSP-219x assembly language syntax is a superset of and source code compatible (except for two data registers and DAG base address registers) with ADSP-218x family syntax. Existing 218x programs may need to be restructured, however, to accommodate the ADSP-2192M's unified memory space and to conform to its interrupt vector map.
- The algebraic syntax eliminates the need to remember cryptic assembler mnemonics. For example, a typical arithmetic add instruction, such as $AR = AX0 + AY0$, resembles a simple equation.
- Every instruction, except two, assembles into a single, 24-bit word that can execute in a single instruction cycle. The exceptions are two dual-word instructions, one of which writes 16- or 24-bit immediate data to memory, and the other of which jumps/calls to other pages in memory.
- Multifunction instructions allow parallel execution of an arithmetic, MAC, or shift instruction with up to two fetches or one write to processor memory space during a single instruction cycle.
- Supports a wider variety of conditional and unconditional jumps and calls, and a larger set of conditions on which to base execution of conditional instructions.

Development Tools

The ADSP-2192M is supported with a complete set of software and hardware development tools, including Analog Devices emulators and VisualDSP++[®] development environment. The same emulator hardware that supports other ADSP-219x DSPs, also fully emulates the ADSP-2192M.

The VisualDSP++ project management environment lets programmers develop and debug an application. This environment includes an easy to use assembler that is based on an algebraic syntax; an archiver (librarian/library builder), a linker, a loader, a cycle-accurate instruction-level simulator, a C/C++ compiler, and a C/C++ runtime library that includes DSP and mathematical functions. Two key points for these tools are:

- Compiled ADSP-219x C/C++ code efficiency—the compiler has been developed for efficient translation of C/C++ code to ADSP-219x assembly. The DSP has architectural features that improve the efficiency of compiled C/C++ code.
- ADSP-218x family code compatibility—The assembler has legacy features to ease the conversion of existing ADSP-218x applications to the ADSP-219x.

Debugging both C/C++ and assembly programs with the VisualDSP++ debugger, programmers can:

- View mixed C/C++ and assembly code (interleaved source and object information)
- Insert break points
- Set conditional breakpoints on registers, memory, and stacks
- Trace instruction execution
- Perform linear or statistical profiling of program execution
- Fill, dump, and graphically plot the contents of memory
- Source level debugging
- Create custom debugger windows

The VisualDSP++ IDE lets programmers define and manage DSP software development. Its dialog boxes and property pages let programmers configure and manage all of the ADSP-219x development tools, including the syntax highlighting in the VisualDSP++ editor. This capability permits:

- Control how the development tools process inputs and generate outputs.
- Maintain a one-to-one correspondence with the tool's command line switches.

Analog Devices DSP emulators use the IEEE 1149.1 JTAG test access port of the ADSP-2192M processor to monitor and control the target board processor during emulation. The emulator provides full-speed emulation, allowing inspection and modification of memory, registers, and processor stacks. Noninvasive in-circuit emulation is assured by the use of the processor's JTAG interface—the emulator does not affect target system loading or timing.

In addition to the software and hardware development tools available from Analog Devices, third parties provide a wide range of tools supporting the ADSP-219x processor family. Hardware tools include ADSP-219x PC plug-in cards. Third party software tools include DSP libraries, real-time operating systems, and block diagram design tools.

Designing an Emulator-Compatible DSP Board (Target)

The White Mountain DSP (Product Line of Analog Devices, Inc.) family of emulators are tools that every DSP developer needs to test and debug hardware and software systems. Analog Devices has supplied an IEEE 1149.1 JTAG Test Access Port (TAP) on each JTAG DSP. The emulator uses the TAP to access the internal features of the DSP, allowing the developer to load code, set breakpoints, observe variables, observe memory, and examine registers. The DSP must be halted to send data and commands, but once an operation has been completed by the emulator, the DSP system is set running at full speed with no impact on system timing.

To use these emulators, the target's design must include the interface between an Analog Devices JTAG DSP and the emulation header on a custom DSP target board.

Target Board Header

The emulator interface to an Analog Devices JTAG DSP is a 14-pin header, as shown in Figure 9. The customer must supply this header on the target board in order to communicate with the emulator. The interface consists of a standard dual row 0.025" square post header, set on 0.1" × 0.1" spacing, with a minimum post length of 0.235". Pin 3 is the key position used to prevent the pod from being inserted backwards. This pin must be clipped on the target board.

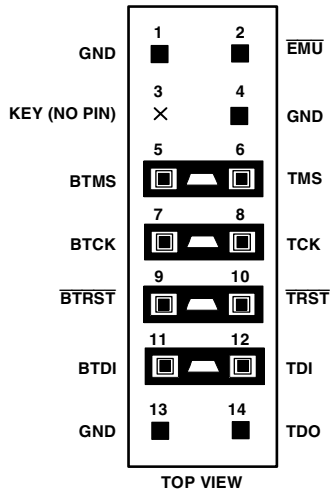


Figure 9. JTAG Target Board Connector for JTAG Equipped Analog Devices DSP (Jumpers in Place)

Also, the clearance (length, width, and height) around the header must be considered. Leave a clearance of at least 0.15" and 0.10" around the length and width of the header, and reserve a height clearance to attach and detach the pod connector.

As can be seen in Figure 9, there are two sets of signals on the header. There are the standard JTAG signals TMS, TCK, TDI, TDO, $\overline{\text{TRST}}$, and $\overline{\text{EMU}}$ used for emulation purposes (via an emulator). There are also secondary JTAG signals BTMS, BTCK, BTDI, and $\overline{\text{BTRST}}$ that are optionally used for board-level (boundary scan) testing.

When the emulator is not connected to this header, place jumpers across BTMS, BTCK, $\overline{\text{BTRST}}$, and BTDI as shown in Figure 10. This holds the JTAG signals in the correct state to allow the DSP to run free. Remove all the jumpers when connecting the emulator to the JTAG header.

JTAG Emulator Pod Connector

Figure 11 details the dimensions of the JTAG pod connector at the 14-pin target end. Figure 12 displays the keep-out area for a target board header. The keep-out area allows the pod connector to properly seat onto the target board header. This board area should contain no components (such as chips, resistors, capacitors). The dimensions are referenced to the center of the 0.25" square post pin.

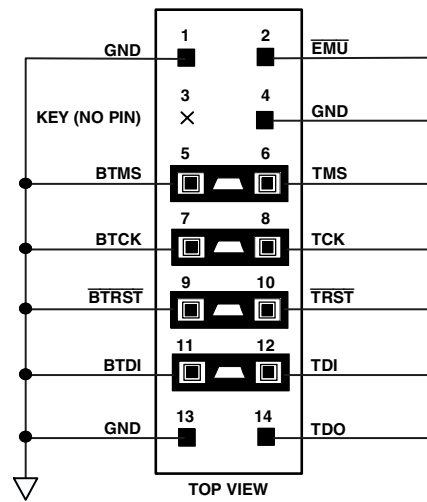


Figure 10. JTAG Target Board Connector with No Local Boundary Scan

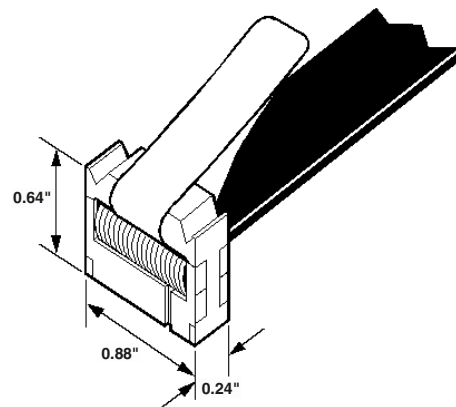


Figure 11. JTAG Pod Connector Dimensions

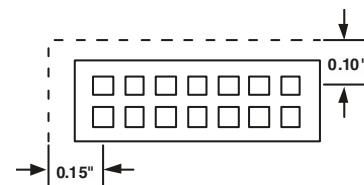


Figure 12. JTAG Pod Connector Keep-Out Area

Design-for-Emulation Circuit Information

For details on target board design issues including: single processor connections, multiprocessor scan chains, signal buffering, signal termination, and emulator pod logic, see the EE-68: *Analog Devices JTAG Emulation Technical Reference* on the Analog Devices website (www.analog.com)—use site search on “EE-68.” This document is updated regularly to keep pace with improvements to emulator support.

ADSP-2192M

Additional Information

This data sheet provides a general overview of the ADSP-2192M architecture and functionality. For detailed information on the ADSP-219x Family core architecture and instruction set, refer to the ADSP-219x/2191 DSP Hardware Reference.

PIN DESCRIPTIONS

ADSP-2192M pin definitions are listed in a series of tables following this section. Inputs identified as synchronous (S) must meet timing requirements with respect to CLKIN (or with respect to TCK for TMS, TDI). Inputs identified as asynchronous (A) can be asserted asynchronously to CLKIN (or to TCK for $\overline{\text{TRST}}$).

The following symbols appear in the Type columns of these tables: G = Ground, I = Input, O = Output, P = Power Supply, and T = Three-State.

Table 27. Pin Configurations: PCI/USB Bus Interface

Pin Name	LQFP	I/O	Description
AD0	57	I/O	Addr/Data Bus
AD1	56	I/O	Addr/Data Bus
AD2	55	I/O	Addr/Data Bus
AD3	54	I/O	Addr/Data Bus
AD4	53	I/O	Addr/Data Bus
AD5	48	I/O	Addr/Data Bus
AD6	47	I/O	Addr/Data Bus
AD7	46	I/O	Addr/Data Bus
AD8	44	I/O	Addr/Data Bus
AD9	43	I/O	Addr/Data Bus
AD10	42	I/O	Addr/Data Bus
AD11	37	I/O	Addr/Data Bus
AD12	36	I/O	Addr/Data Bus
AD13	35	I/O	Addr/Data Bus
AD14	34	I/O	Addr/Data Bus
AD15	33	I/O	Addr/Data Bus
AD16	15	I/O	Addr/Data Bus
AD17	14	I/O	Addr/Data Bus
AD18	13	I/O	Addr/Data Bus
AD19	12	I/O	Addr/Data Bus
AD20	11	I/O	Addr/Data Bus
AD21	8	I/O	Addr/Data Bus
AD22	7	I/O	Addr/Data Bus
AD23	6	I/O	Addr/Data Bus
AD24	3	I/O	Addr/Data Bus
AD25	2	I/O	Addr/Data Bus
AD26	143	I/O	Addr/Data Bus
AD27	142	I/O	Addr/Data Bus
AD28	141	I/O	Addr/Data Bus
AD29	138	I/O	Addr/Data Bus
AD30	137	I/O	Addr/Data Bus
AD31	136	I/O	Addr/Data Bus
CBE0	45	I/O	PCI Cmd/Byte Enable
CBE1	32	I/O	PCI Cmd/Byte Enable

Table 27. Pin Configurations: PCI/USB Bus Interface (continued)

Pin Name	LQFP	I/O	Description
CBE2	16	I/O	PCI Cmd/Byte Enable
CBE3	4	I/O	PCI Cmd/Byte Enable
CLK	130	I	PCI Clock
CLKRUN	26	O	Clock Run
DEVSEL	24	I/O	PCI Target Select
FRAME	17	I/O	PCI Frame Select
GNT	131	I	Grant
IDSEL	5	I	PCI Initiator Select
$\overline{\text{INTAB}}$	128	O	PCI/ISA Interrupt
IRDY	22	I/O	PCI Initiator Ready
PAR	31	I/O	PCI Bus Parity
PCIGND	1, 10, 21, 30, 39, 52, 133	I	PCI Ground
PCIVDD	9, 18, 29, 38, 51, 132, 144	I	PCI VDD supply
PERR	27	I/O	PCI Parity Error/USB- (Inverting Input)
PME	135	O	PCI Power Management Event Request
REQ	134	O	PCI Reset
$\overline{\text{RST}}$	129	I	PCI System Error/USB+ (Noninverting Input)
SERR	28	O	PCI Target Stop
STOP	25	I/O	PCI Target Ready
TRDY	23	I/O	PCI Target Ready

Table 28. Pin Configurations: Analog Pins

Pin Name	LQFP	I/O	Description
AGND	67	I	Analog Gnd.
AQGND	68	I	Ref. Analog Gnd.
CTRLAUX	61	I	X Supply
CTRLVDD	63	I	Control VDD
IVDD	62	I	Digital VDD
NC	66	O	No Connect
NC	69	I	No Connect
NC	70	I	No Connect
RVAUX	60	I	X Supply
RVDD	64	I	Analog VDD Supply

Table 29. Pin Configurations: Emulator Pins

Pin Name	LQFP	I/O	Description
EMU	74	O	Emulator Event Pin
TCK	78	I	Emulator Clock Input
TDI	80	I	Emulator Data Input
TDO	81	O	Emulator Data Output
TMS	75	I	Emulator Mode Select
TRST	79	I	Emulator Logic Reset

Table 30. Pin Configurations: Crystal/Configuration Pins

Pin Name	LQFP	I/O	Description
BUS0	124	I	PCI/Sub-ISA/ CardBus Select Pins
BUS1	123	I	PCI/ Sub-ISA/ CardBus Select Pins
CLKSEL	116	I/O	Clock Select
IGND	122	I	IGND
NC	127	O	No Connect
PORST	121	I	Power-On Reset
XTALI	118	I	Crystal Input Pin (24.576 MHz)
XTALO	119	I/O	Crystal Output Pin

Table 31. Pin Configurations: AC'97 Interface Pins

Pin Name	LQFP	I/O	Description
ACRST	102	O	AC'97 Reset
ACVAUX	92	I	AC'97 VAUX Input
ACVDD	93	I	AC'97 VDD Input
BITCLK	96	I	AC'97 Bit Clock
SDI0	99	I	AC'97 Serial Data Input, Bit 0
SDI1	98	I	AC'97 Serial Data Input, Bit 1
SDI2	97	I	AC'97 Serial Data Input, Bit 2
SDO	100	O	AC'97 Serial Data Output
SYNC	101	O	AC'97 Sync

Table 32. Pin Configurations: Serial EEPROM Pins

Pin Name	LQFP	I/O	Description
SCK	72	I	Serial EEPROM Clock
SDA	71	I	Serial EEPROM Data
SEN	73	I	Serial EEPROM Enable

Table 33. Pin Configurations: IO Pins

Pin Name	LQFP	I/O	Description
AIOGND	76, 91		IO Ground
IO0	82	I/O	IO Pin, Bit 0
IO1	83	I/O	IO Pin, Bit 1
IO2	84	I/O	IO Pin, Bit 2
IO3	86	I/O	IO Pin, Bit 3
IO4	87	I/O	IO Pin, Bit 4
IO5	88	I/O	IO Pin, Bit 5
IO6	89	I/O	IO Pin, Bit 6
IO7	90	I/O	IO Pin, Bit 7
IOVDD	77, 85		IO VDD

Table 34. Pin Configurations: Power Supply Pins

Pin Name	LQFP	I/O	Description
ACVAUX	92		AC'97 VAUX Input
AIOGND	91		IO Ground
AVDD	65		Analog VDD Supply
CTRLAUX	61		AUX Control
CTRLVDD	63		Control VDD
IGND	20, 41, 50, 59, 104, 120, 122, 126, 139		Digital Ground
IVDD	19, 40, 49, 58, 62, 103, 117, 125, 140		Digital VDD
RVAUX	60		AUX Supply
RVDD	64		Analog VDD Supply

ADSP-2192M

SPECIFICATIONS

RECOMMENDED OPERATING CONDITIONS

K Grade Parameter	Test Conditions	Min	Max	Unit
V_{DDINT}^1	Internal Supply Voltage	2.38	2.62	V
V_{DDEXT}^2	External Supply Voltage Option 3.3 V (All Supplies)	3.0	3.6	V
V_{DDEXT}^3	External Supply Voltage Option 5.0 V (V_{DDEXT} Supplies only)	4.75	5.25	V
V_{IH1}	High Level Input Voltage ⁴	@ $V_{DDEXT} = \text{Max}$	V_{DDEXT}	V
V_{IH2}	High Level Input Voltage ⁵	@ $V_{DDEXT} = \text{Max}$	V_{DDEXT}	V
V_{IL1}	Low Level Input Voltage ²	@ $V_{DDEXT} = \text{Min}$	0.8	V
V_{IL2}	Low Level Input Voltage ⁶	@ $V_{DDINT} = \text{Min}$	0.4	V
T_{AMB}	Ambient Operating Temperature	0	70	°C

Specifications subject to change without notice.

¹ $V_{DDINT} = IVDD$.

² $V_{DDEXT} = IOVDD, PCIVDD, ACVDD, RVDD, RVAUX, ACVAUX$.

³ $V_{DDEXT} = IOVDD, PCIVDD, ACVDD, RVDD$ only.

⁴Applies to PCI input and bidirectional pins.

⁵Applies to I/O bus bidirectional pins.

⁶Applies to input pins XTALI, BUS0, BUS1.

ELECTRICAL CHARACTERISTICS

Parameter	Test Conditions	Min	Typ	Max	Unit
V_{OH}	High Level Output Voltage ¹	@ $V_{DDEXT} = \text{min}, I_{OH} = -0.5 \text{ mA}$	2.4		V
V_{OL}	Low Level Output Voltage ¹	@ $V_{DDEXT} = \text{max}, I_{OL} = 2.0 \text{ mA}$		0.4	V
I_{IH}	High Level Input Current ^{2, 3}	@ $V_{DDEXT} = \text{max}, V_{IN} = V_{DD} \text{ max}$		10	μA
I_{IL}	Low Level Input Current ²	@ $V_{DDEXT} = \text{max}, V_{IN} = 0 \text{ V}$		10	μA
I_{ILP}	Low Level Input Current ³	@ $V_{DDEXT} = \text{max}, V_{IN} = 0 \text{ V}$		250	μA
I_{OZH}	Three-State Leakage Current ^{4, 5}	@ $V_{DDEXT} = \text{max}, V_{IN} = V_{DD} \text{ max}$		10	μA
I_{OZL}	Three-State Leakage Current ⁴	@ $V_{DDEXT} = \text{max}, V_{IN} = 0 \text{ V}$		10	μA
I_{DD}	Supply Current Dynamic (Internal) ⁶	@ 160 MHz $V_{DDINT} = 2.5 \text{ V}$	340		mA
$I_{DD-IDLE}$	Supply Current (Idle)	$V_{DDINT} = 2.5 \text{ V}$	45		mA
C_{IN}	Input Capacitance ^{7, 8}	$f_{IN} = 1 \text{ MHz}, T_{AMB} = 25^\circ\text{C},$ $V_{DDINT} = 2.5 \text{ V}$		20	pF
$I_{DD-Power-Down}$	Supply Current (Power-Down)	$T_{AMB} = 25^\circ\text{C}, V_{DDINT} = 2.5 \text{ V}$	0.8		mA

Specifications subject to change without notice.

¹Applies to output and bidirectional pins.

²Applies to input.

³Applies to input pins with internal pull-ups: EMS, EDI, ERSTB, SDA, SEN, SCR, BUS0, BUS1.

⁴Applies to three-statable pins.

⁵Applies to three-statable pins with internal pull-ups.

⁶DSP typical operating condition for supply current specification. DSP MACs, ALUs, and shifts 50%; data read/write/moves 30%, idle 20%.

⁷Applies to all signal pins.

⁸Guaranteed, but not tested.

ABSOLUTE MAXIMUM RATINGS

Power Supply, Internal (V_{DDINT})¹ -0.3 V to +6.0 V
 Power Supply, External (V_{DDEXT}) -0.3 V to +6.0 V
 Input Voltage (Signal Pins) -0.3 V to $V_{DDEXT} + 0.3$ V
 T_{STORE} Storage Temperature Range -65°C to +150°C
 T_{LEAD} Lead Temperature (5 seconds) max 185°C

¹Stresses greater than those listed above may cause permanent damage to the device. These are stress ratings only; functional operation of the device at these or any other conditions greater than those indicated in the operational sections of this specification is not implied. Exposure to absolute maximum rating conditions for extended periods may affect device reliability.

ESD SENSITIVITY

CAUTION

ESD (electrostatic discharge) sensitive device. Electrostatic charges as high as 4000 V readily accumulate on the human body and test equipment and can discharge without detection. Although the ADSP-2192M features proprietary ESD protection circuitry, permanent damage may occur on devices subjected to high energy electrostatic discharges. Therefore, proper ESD precautions are recommended to avoid performance degradation or loss of functionality.



TIMING SPECIFICATIONS

This section contains timing information for the DSP's external signals.

Programmable Flags Cycle Timing

Table 35 and Figure 13 describe Programmable Flag operations. The signals indicated are asynchronous and are not tied to any clock.

Table 35. Programmable Flags Cycle Timing

Parameter		Min	Max	Unit
t_{GPTW}	GPIO Timing Pulsewidth	40		ns
$t_{XTALIHI}$	XTALI High Pulsewidth	10		ns
$t_{XTALILO}$	XTALI Low Pulsewidth	15		ns
t_{ENABLE}	I/O Pins	0		ns
$t_{DISABLE}$	I/O Pins		10	ns

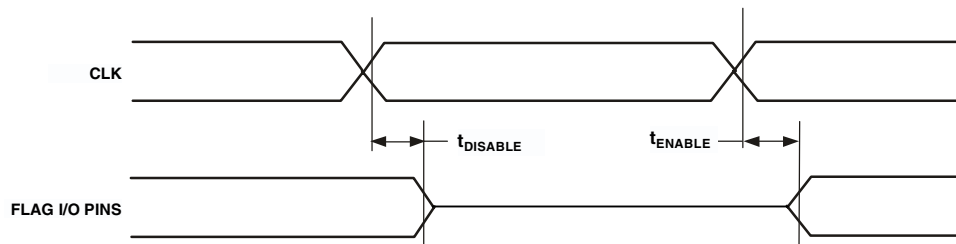


Figure 13. Programmable Flags Cycle Timing

ADSP-2192M

Sub-ISA Interface Read/Write Cycle Timing

Table 36, Figure 14, and Figure 15 describe Sub-ISA Interface Read and Write operations.

Table 36. Sub-ISA Interface Read/Write Cycle Timing

Parameter		Min	Max	Unit
t_{ISTW}	$\overline{IOR}/\overline{IOW}$ Strobe Width	100		ns
t_{ICYC}	$\overline{IOR}/\overline{IOW}$ Cycle Time	240		ns
t_{AESU}	\overline{AEN} Setup to $\overline{IOR}/\overline{IOW}$ Falling	10		ns
t_{AEHD}	\overline{AEN} Hold from $\overline{IOR}/\overline{IOW}$ Rising	0		ns
t_{ADSU}	Address Setup to $\overline{IOR}/\overline{IOW}$ Falling	10		ns
t_{ADHD}	Address Hold from $\overline{IOR}/\overline{IOW}$ Rising	0		ns
t_{DHD1}	Data Hold from \overline{IOR} Rising		20	ns
t_{DHD2}	Data Hold from \overline{IOW} Rising	15		ns
t_{RDDV}	\overline{IOR} Falling to Valid Read Data		40	ns
t_{WDSU}	Write Data Setup to \overline{IOW} Rising	10		ns
t_{RDY1}	$\overline{IOR}/\overline{IOW}$ Rising from $\overline{IOCHRDY}$ Rising	0		ns
t_{RDY2}	$\overline{IOCHRDY}$ Falling from $\overline{IOR}/\overline{IOW}$ Rising	20		ns

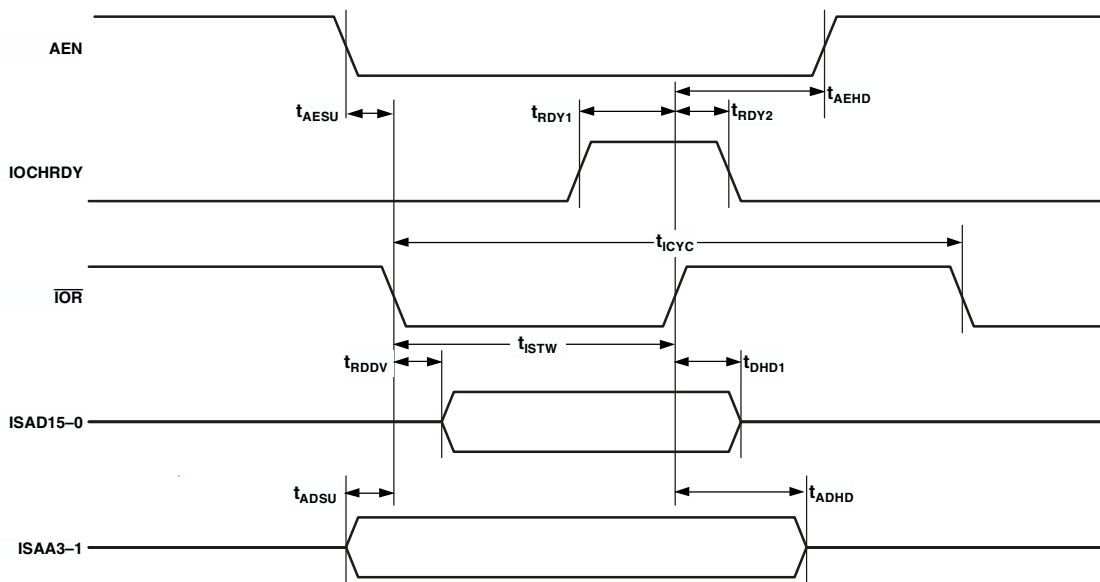


Figure 14. Sub-ISA Interface Read Cycle Timing

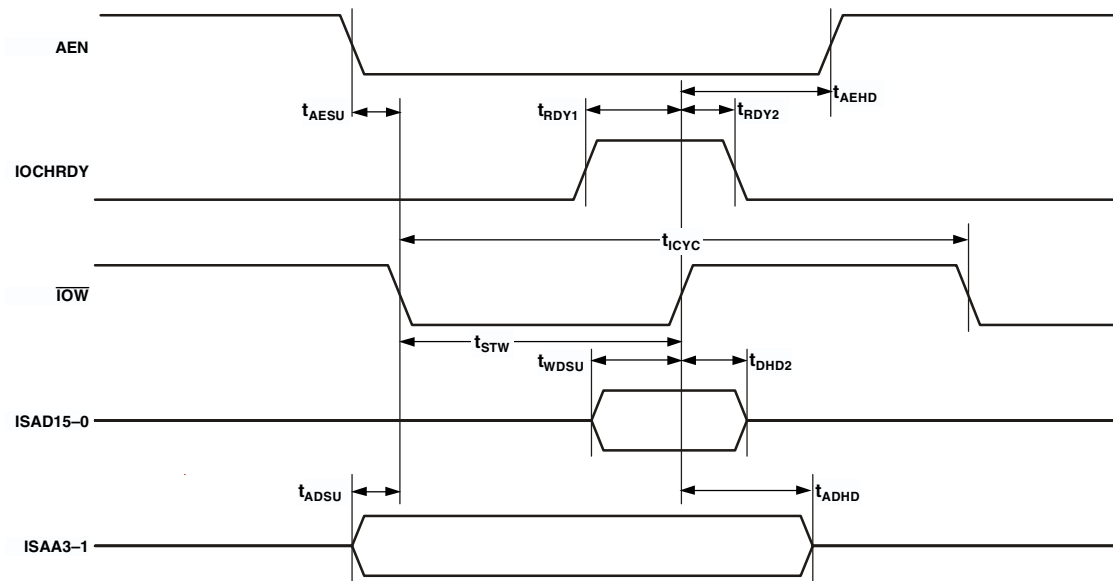


Figure 15. Sub-ISA Interface Write Cycle Timing

ADSP-2192M

Output Drive Currents

Figure 16 shows typical I-V characteristics for the output drivers of the ADSP-2192M. The curves represent the current drive capability of the output drivers as a function of output voltage.

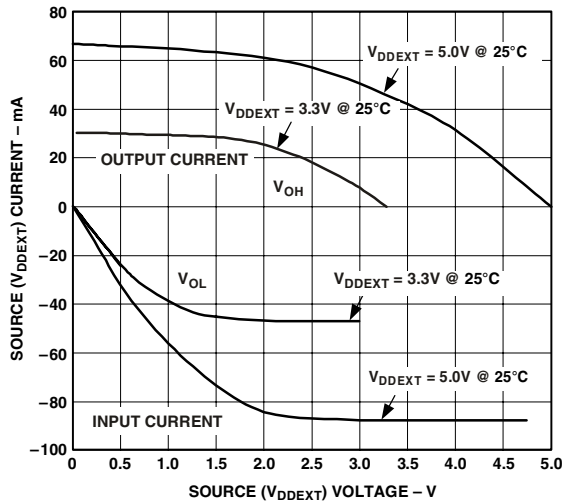


Figure 16. Typical Drive Currents

Table 37. P_{EXT} Calculation Example

Pin Type	No. of Pins	% Switching	× C	× f	× V _{DD} ²	= P _{EXT}
Address/Data	32	100	× 10 pF	× 33 MHz	× 10.9 V	= 0.115 W
DEVSEL	1	0	× 10 pF	× 33 MHz	× 10.9 V	= 0.0 W
CBE	1	100	× 10 pF	× 33 MHz	× 10.9 V	= 0.003 W
CLK	1	100	× 10 pF	× 33 MHz	× 10.9 V	= 0.003 W
						P _{EXT} = 0.04687 W

A typical power consumption can now be calculated for these conditions by adding a typical internal power dissipation with the following formula.

$$P_{TOTAL} = P_{EXT} + P_{INT}$$

Where:

- P_{EXT} is from Table 37
- P_{INT} is I_{DDINT} × 2.5 V, using the calculation I_{DDINT} listed in Electrical Characteristics on Page 30.

Note that the conditions causing a worst-case P_{EXT} are different from those causing a worst-case P_{INT}. Maximum P_{INT} cannot occur while 100% of the output pins are switching from all ones to all zeros. Note also that it is not common for an application to have 100% or even 50% of the outputs switching simultaneously.

Test Conditions

The ADSP-2192M is tested for compliance with all support industry standard interfaces (PCI, USB, and AC'97). Also, the DSP is tested for output enable, disable, and pulsewidth. See Table 35 for the values of these parameters.

Power Dissipation

Total power dissipation has two components, one due to internal circuitry and one due to the switching of external output drivers. Internal power dissipation is dependent on the instruction execution sequence and the data operands involved.

The external component of total power dissipation is caused by the switching of output pins. Its magnitude depends on:

- Number of output pins that switch during each cycle (O)
- The maximum frequency at which they can switch (f)
- Their load capacitance (C)
- Their voltage swing (V_{DD})

and is calculated by the formula below.

$$P_{EXT} = O \times C \times V_{DD}^2 \times f$$

The load capacitance includes the processor's package capacitance (C_{IN}). The switching frequency includes driving the load high and then back low. Address and data pins can drive high and low at a maximum rate of 33 MHz.

The P_{EXT} equation is calculated for each class of pins that can drive as shown in Table 37.

Output Disable Time

Output pins are considered to be disabled when they stop driving, go into a high impedance state, and start to decay from their output high or low voltage. The time for the voltage on the bus to decay by ΔV is dependent on the capacitive load, C_L and the load current, I_L. This decay time can be approximated by the equation below.

$$t_{DECAY} = \frac{C_L \Delta V}{I_L}$$

The output disable time t_{DIS} is the difference between t_{MEASURED} and t_{DECAY} as shown in Figure 17. The time t_{MEASURED} is the interval from when the reference signal switches to when the output voltage decays ΔV from the measured output high or output low voltage. The t_{DECAY} is calculated with test loads C_L and I_L, and with ΔV equal to 0.5 V.

Output Enable Time

Output pins are considered to be enabled when they have made a transition from a high impedance state to when they start driving. The output enable time t_{ENA} is the interval from when a reference signal reaches a high or low voltage level to when the

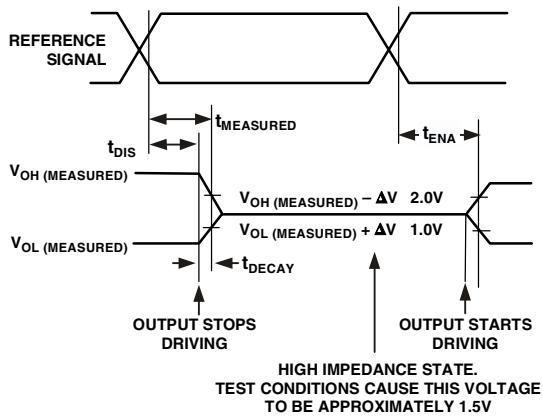


Figure 17. Output Enable/Disable

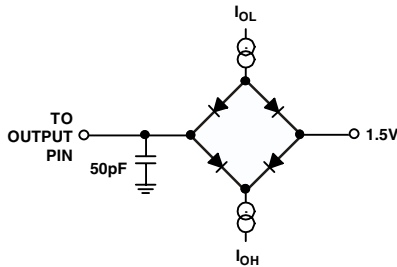


Figure 18. Equivalent Device Loading for AC Measurements (Includes All Fixtures)



Figure 19. Voltage Reference Levels for AC Measurements (Except Output Enable/Disable)

output has reached a specified high or low trip point, as shown in the Output Enable/Disable diagram (Figure 17). If multiple pins (such as the data bus) are enabled, the measurement value is that of the first pin to start driving.

Example System Hold Time Calculation

To determine the data output hold time in a particular system, first calculate t_{DECAY} using the equation at [Output Disable Time on Page 34](#). Choose ΔV to be the difference between the ADSP-2192M's output voltage and the input threshold for the device requiring the hold time. A typical ΔV will be 0.4 V. C_L is the total bus capacitance (per data line), and I_L is the total leakage or three-state current (per data line). The hold time will be t_{DECAY} plus the minimum disable time (i.e., t_{DATRWH} for the write cycle).

Capacitive Loading

Output delays and holds are based on standard capacitive loads: 50 pF on all pins. The delay and hold specifications given should be derated for loads other than the nominal value of 50 pF.

Environmental Conditions

The thermal characteristics in which the DSP is operating influence performance (see [Table 38](#)).

Table 38. Thermal Characteristics

Rating Description	Symbol	LQFP
Thermal Resistance (Junction-to-Ambient)	θ_{JA}	33.79°C/W Still Air

ADSP-2192M

144-Lead LQFP Pinout

Table 39 lists the LQFP pinout by signal name. Table 40 lists the LQFP pinout by pin number.

Table 39. 144-Lead LQFP Pins (Alphabetically by Signal)

Signal	Pin No.	Signal	Pin No.	Signal	Pin No.	Signal	Pin No.	Signal	Pin No.
ACRST	102	AD26	143	IDSEL	5	IVDD	125	PCIVDD	51
ACVAUX	92	AD27	142	IGND	20	IVDD	140	PCIVDD	132
ACVDD	93	AD28	141	IGND	41	IVDD	62	PCIVDD	144
AD0	57	AD29	138	IGND	50	NC	115	PERR	27
AD1	56	AD30	137	IGND	59	NC	114	PME	135
AD2	55	AD31	136	IGND	104	NC	108	PORST	121
AD3	54	AGND	67	IGND	120	NC	105	REQ	134
AD4	53	AIOGND	91	IGND	122	NC	109	RST	129
AD5	48	AQGND	68	IGND	126	NC	107	RVAUX	60
AD6	47	AVDD	65	IGND	139	NC	106	RVDD	64
AD7	46	ACVAUX	113	INTAB	128	NC	110	SCK	72
AD8	44	ACVDD	112	IO0	82	NC	127	SDA	71
AD9	43	BITCLK	96	IO1	83	NC	70	SDI0	99
AD10	42	BUS0	124	IO2	84	NC	66	SDI1	98
AD11	37	BUS1	123	IO3	86	NC	94	SDI2	97
AD12	36	CBE0	45	IO4	87	NC	69	SDO	100
AD13	35	CBE1	32	IO5	88	NC	95	SEN	73
AD14	34	CBE2	16	IO6	89	PAR	31	SERR	28
AD15	33	CBE3	4	IO7	90	PCIGND	1	STOP	25
AD16	15	CLK	130	IOGND	76	PCIGND	10	SYNC	101
AD17	14	CLKRUN	26	IOVDD	77	PCIGND	21	TCK	78
AD18	13	CLKSEL	116	IOVDD	85	PCIGND	30	TDI	80
AD19	12	CTRLAUX	61	IRDY	22	PCIGND	39	TDO	81
AD20	11	CTRLVDD	63	IVDD	19	PCIGND	52	TMS	75
AD21	8	DEVSEL	24	IVDD	40	PCIGND	133	TRDY	23
AD22	7	EMU	74	IVDD	49	PCIVDD	9	TRST	79
AD23	6	FRAME	17	IVDD	58	PCIVDD	18	XTALI	118
AD24	3	GND	111	IVDD	103	PCIVDD	29	XTALO	119
AD25	2	GNT	131	IVDD	117	PCIVDD	38		

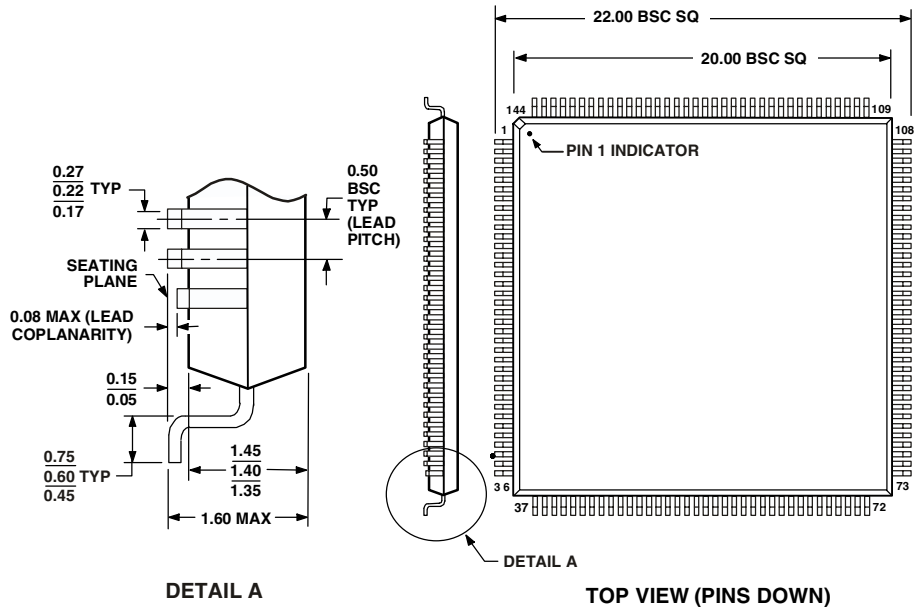
Table 40. 144-Lead LQFP Pins (Numerically by Pin Number)

Pin No.	Signal	Pin No.	Signal	Pin No.	Signal	Pin No.	Signal	Pin No.	Signal
1	PCIGND	30	PCIGND	59	IGND	88	IO5	117	IVDD
2	AD25	31	PAR	60	RVAUX	89	IO6	118	XTALI
3	AD24	32	CBE1	61	CTRLAUX	90	IO7	119	XTALO
4	CBE3	33	AD15	62	IVDD	91	AIOGND	120	IGND
5	IDSEL	34	AD14	63	CTRLVDD	92	ACVAUX	121	$\overline{\text{PORST}}$
6	AD23	35	AD13	64	RVDD	93	ACVDD	122	IGND
7	AD22	36	AD12	65	AVDD	94	NC	123	BUS1
8	AD21	37	AD11	66	NC	95	NC	124	BUS0
9	PCIVDD	38	PCIVDD	67	AGND	96	BITCLK	125	IVDD
10	PCIGND	39	PCIGND	68	AQGND	97	SDI2	126	IGND
11	AD20	40	IVDD	69	NC	98	SDI1	127	NC
12	AD19	41	IGND	70	NC	99	SDI0	128	$\overline{\text{INTAB}}$
13	AD18	42	AD10	71	SDA	100	SDO	129	$\overline{\text{RST}}$
14	AD17	43	AD9	72	SCK	101	SYNC	130	CLK
15	AD16	44	AD8	73	SEN	102	$\overline{\text{ACRST}}$	131	GNT
16	CBE2	45	CBE0	74	$\overline{\text{EMU}}$	103	IVDD	132	PCIVDD
17	FRAME	46	AD7	75	TMS	104	IGND	133	PCIGND
18	PCIVDD	47	AD6	76	IOGND	105	NC	134	REQ
19	IVDD	48	AD5	77	IOVDD	106	NC	135	PME
20	IGND	49	IVDD	78	TCK	107	NC	136	AD31
21	PCIGND	50	IGND	79	$\overline{\text{TRST}}$	108	NC	137	AD30
22	IRDY	51	PCIVDD	80	TDI	109	NC	138	AD29
23	TRDY	52	PCIGND	81	TDO	110	NC	139	IGND
24	DEVSEL	53	AD4	82	IO0	111	GND	140	IVDD
25	STOP	54	AD3	83	IO1	112	ACVDD	141	AD28
26	CLKRUN	55	AD2	84	IO2	113	ACVAUX	142	AD27
27	PERR	56	AD1	85	IOVDD	114	NC	143	AD26
28	SERR	57	AD0	86	IO3	115	NC	144	PCIVDD
29	PCIVDD	58	IVDD	87	IO4	116	CLKSEL		

ADSP-2192M

OUTLINE DIMENSIONS

144-Lead Plastic Quad Flatpack [LQFP] (ST-144)



NOTES:

1. DIMENSIONS ARE IN MILLIMETERS AND COMPLY WITH JEDEC STANDARD MS-026-BFB.
2. ACTUAL POSITION OF EACH LEAD IS WITHIN 0.08 OF ITS IDEAL POSITION, WHEN MEASURED IN THE LATERAL DIRECTION.
3. CENTER DIMENSIONS ARE NOMINAL.

ORDERING GUIDE

Part Number ¹	Ambient Temperature Range	Instruction Rate	On-Chip SRAM	Package Description	Operating Voltage
ADSP-219212MKST160	0°C to 70°C	160 MHz	2.4 Mbit	144-Lead LQFP	2.5 Int./3.3 or 5 Ext. V

¹ST = Plastic Quad Flatpack (LQFP).

